

**IMPACT67 compact module, plastic, 7/8"**

EthernetIP, 16 multifunction channels

Digital inputs/outputs

DIO8 DIO8

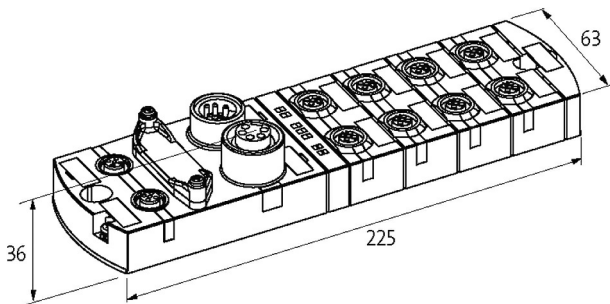
Ethernet 10/100 Mbit/s; M12, D-coded

7/8", 5-pole, 2× max. 9 A

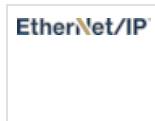
M12, 5-pole, A-coded

Connection cables are in the online shop under "Connection Technology".

Housing fully potted.

[Link to Product](#)**Illustration**

Product may differ from Image

**General data**

Mounting method	2-hole screw mounting, compatible with I/O modules of MVK model range
Temperature range	-25...+55 °C (storage temperature -25...+70 °C)
Protection	IP67
Dimensions H×W×D	39×63×225 mm

**Output**

Lamp load	10 W
Actuator supply UA	24 V DC (EN 61131-2), max. 9 A
Switching current per output	max. 1.6 A (short-circuit and overload protected)

**Input**

Sensor supply US	24 V DC (EN 61131-2), max. 200 mA (M12 female), short-circuit and overload protected
Type	for 3-wire sensors or mechanical switches, PNP

**Parameterization**

PIN 4	Input/Output (port X0...X7)
-------	-----------------------------

PIN 2	Input/Output (port X0...X7)
-------	-----------------------------

#### Connections

Fieldbus	Ethernet 10/100 Mbit/s; M12, D-coded
----------	--------------------------------------

Sensor-system/actuator supply	7/8", 5-pole, 2× max. 9 A
-------------------------------	---------------------------

I/O ports	M12, 5-pole, A-coded
-----------	----------------------

#### EtherNet/IP

Addressing	DHCP, BOOTP or IP address by rotary switch
------------	--------------------------------------------

DLR (Device Level Ring)	yes
-------------------------	-----

#### Diagnostic

Communication status	via LED
----------------------	---------

Diagnostic via LED	per module and channel
--------------------	------------------------

Diagnostic via BUS	per module and channel
--------------------	------------------------

Monitoring - under voltage	yes
----------------------------	-----

Monitoring - no voltage	yes
-------------------------	-----

#### Commercial data

country of origin	DE
-------------------	----

customs tariff number	85389099
-----------------------	----------

EAN	4048879445467
-----	---------------

eClass	27242604
--------	----------

Packaging unit	1.000
----------------	-------