

MASI67 I/O MODULE

4 digital inputs, 4 digital outputs

Digital inputs/outputs

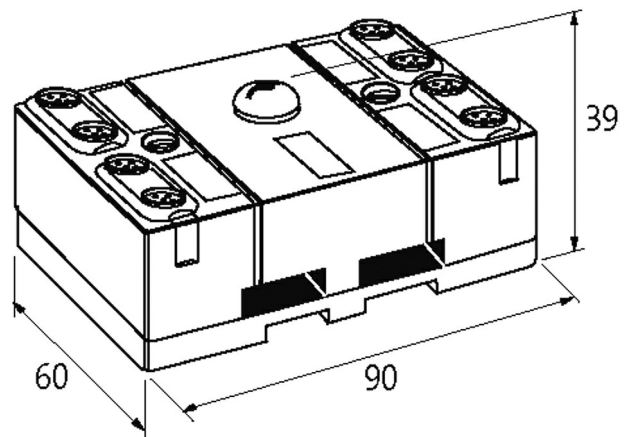
DI4 - 0.2 A DO4 - 0.5 A - 8× M8

Connection cables are in the online shop under "Connection Technology".

Housing fully potted.

Link to Product

Illustration



Product may differ from Image



Technical Data

Total current (AS-Interface)	max. 250 mA
Bus voltage (AS-Interface)	26.5...31.6 V DC
Profile (IO/ID/ID2 code)	S-7.0.E
Addressing	via built-in address port or master
Address range	1...31

General data

Mounting method	DIN-rail mountable (EN 60715) or screw fixing
Temperature range	-20...+60 °C (storage temperature -20...+70 °C)
Protection	IP67
Dimensions H×W×D	94×60×39 mm

Output

Supply voltage	24 V DC external (18...30.2 V DC) EN 61131-2, connection via black AS-Interface profile cable
Total current	max. 2 A
Switching current per output	max. 0.5 A (short-circuit and overload protected)

Input

Sensor supply US	max. 200 mA from AS-Interface (short-circuit and overload protected)
Type	for 3-wire sensors or mechanical switches, PNP

Diagnostic

Communication status	via LED
Diagnostic via LED	per module

Monitoring - no voltage yes

Commercial data

country of origin	DE
customs tariff number	85176200
EAN	4048879049030
eClass	27242604
Packaging unit	1.000