

**M12 male 0° / M12 female 0° A-cod. shielded**

RADOX EM 104 4x0.5 shielded bk 0.6m

Male straight – female straight

M12 – M12, 4-pole

shielded

with cable sleeves

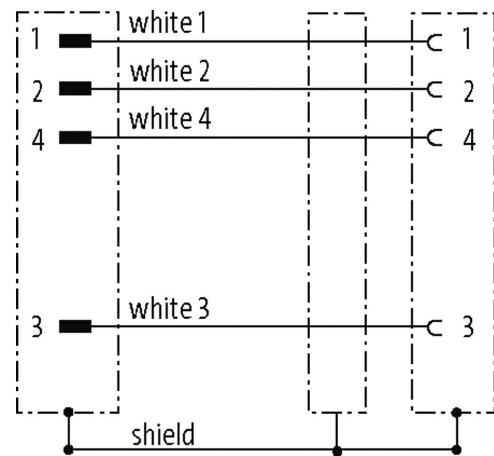
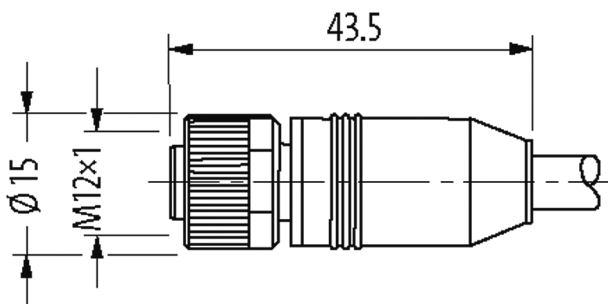
Plastic housings with good resistance against chemicals and oils.

The resistance to aggressive media should be individually tested for your application. Further details on request.

Further cable lengths on request.

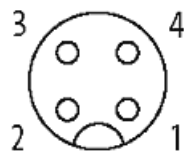
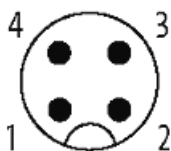
**Link to Product**

**Illustration**



Male

Female



Product may differ from Image

**Form**

Form 40501

**Technical Data**

Operating voltage max. 60 V AC/DC

|   |  |
|---|--|
| Rated surge voltage                       | 1.5 kV   |
| Operating current per contact             | max. 4 A   |
| No. of poles                              | 4  |
| Material group                            | IEC 60664-1, category I  |
| Coding                                    | A-coded  |
| LED display                               | no   |
| Locking of ports                          | Screw thread (M12×1 mm) recommended torque 0.6 Nm, self-securing |
| Compression gland                         | M12 (SW13)   |
| Protection                                | IP65 and IP67 when plugged and screwed down (EN 60529)           |
| Material                                  | PUR  |
| Locking material                          | Zinc die casting, matte nickel plated                            |
| suitable for corrugated tube (internal Ø) | without  |

#### General data

|                   |  |
|-------------------|--|
| Standards         | DIN EN 61076-2-101 (M12)                 |
| Mounting method   | inserted, tightened                      |
| Pollution Degree  | 3  |
| Temperature range | -25...+85 °C, depending on cable quality |

#### Cables

|                           |                             |
|---------------------------|-----------------------------|
| Cable identification      | R13                         |
| Approval (cable)          | DIN EN 45545-2, CE conform  |
| Cable weight [g/m]        | 67,10                       |
| Material (wire)           | Cu wire, tin plated         |
| Resistor (core)           | max. 40.1 Ω/km (20 °C)      |
| Single wire Ø (core)      | 0.18 mm                     |
| Construction (core)       | 19× 0.18 mm                 |
| Diameter (core)           | 4× 0.5 mm <sup>2</sup>      |
| AWG                       | similar to AWG 20           |
| Material (wire isolation) | Radox EI 303                |
| Wire-Ø incl. isolation    | 1.42 mm ±5%                 |
| Color/numbering of wires  | wh (bk num)                 |
| Stranding combination     | 4 wires twisted             |
| Shield                    | yes                         |
| Shield (Type)             | Tinned wire mesh            |
| Material (jacket)         | Radox EM 104                |
| Outer-Ø (jacket)          | 5.4 mm ±5%                  |
| Color (jacket)            | black                       |
| Nominal voltage           | 600/1000 V AC               |
| Test voltage              | 3500 V AC                   |
| Current load capacity     | according to DIN VDE 0298-4 |
| Temperature range (fixed) | -50...+120 °C               |
| Bend radius (fixed)       | 3× outer-Ø                  |
| Bend radius (moving)      | 4× outer-Ø                  |
| Jacket Color              | black                       |

#### Commercial data

|                       |               |
|-----------------------|---------------|
| country of origin     | DE            |
| customs tariff number | 85444290      |
| EAN                   | 4048879691079 |
| eClass                | 27279218      |
| Packaging unit        | 1             |