

MOSA M12 female 90° field-wireable (IDC)4-pole 0.25...0.5mm²

Female 90°

M12, 4-pole

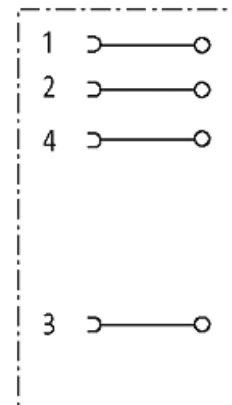
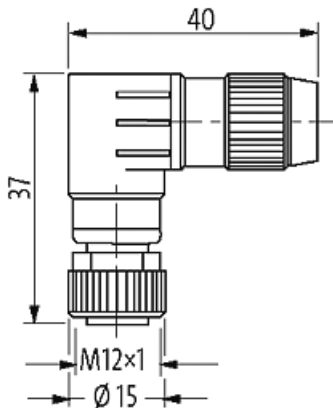
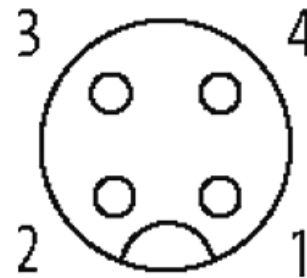
IDC terminals

Connection cross section: 0.25...0.5 mm²

The resistance to aggressive media should be individually tested for your application. Further details on request.

[Link to Product](#)**Illustration**

Female



Product may differ from Image

Technical Data

| | |
|-------------------------------|---|
| Operating voltage | max. 32 V AC/DC |
| Rated surge voltage | 0.8 kV |
| Operating current per contact | max. 4 A |
| No. of poles | 4 |
| Material group | IEC 60664-1, category III |
| Coding | A-coded |
| LED display | no |
| Connection cross section | 0.25...0.5 mm ² (conductor diameter min. 0.1 mm) |
| Sealing range (cable Ø) | 4...5.1 mm |
| Wire isolation | PVC, PP, TPE |
| Outer wire Ø | 1.2...1.6 mm |
| Reconnection (cable) | 10 |

| | |
|-------------------|--|
| Locking of ports | Screw thread (M12×1 mm) recommended torque 0.6 Nm, self-securing |
| Compression gland | pluggable, screw locking / M12 (A/F13) / zinc-pressure die casting, surface Ni |
| Protection | IP67 mounted and tightened |

General data

| | |
|----------------------------|--------------------------|
| Standards | DIN EN 61076-2-101 (M12) |
| Material (contact) | Copper alloy |
| Material (contact surface) | Au |
| Material (gasket) | FKM |
| Pollution Degree | 3 |
| Temperature range | -25...+85 °C |

Commercial data

| | |
|-----------------------|---------------|
| country of origin | DE |
| customs tariff number | 85366990 |
| EAN | 4048879848701 |
| eClass | 27279221 |
| Packaging unit | 10 |