

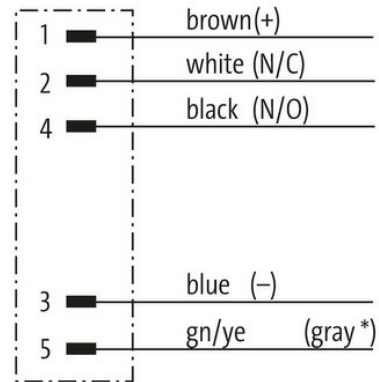
M12 male recept. A-cod. front

PVC-wires 5x0.34 2m

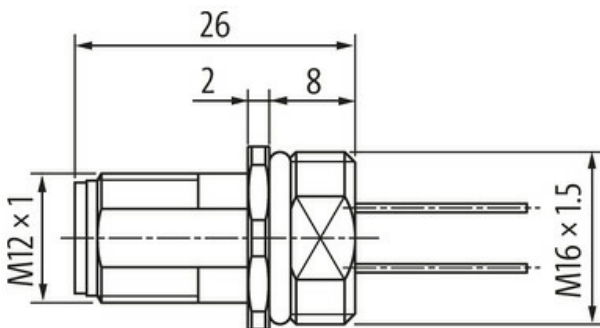
Flange male
M12, 5-pole
Front mounting
with multi-strand wire

[Link to Product](#)

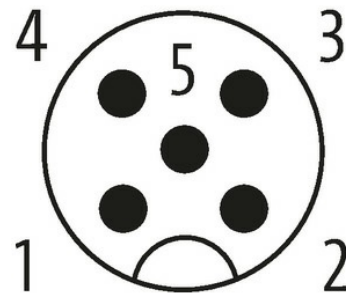
Illustration



(* for cable type 902 and 972)



Male



Product may differ from Image



Form

Form 13521

Technical Data

| | |
|-------------------------------|------------------|
| Operating voltage | max. 125 V AC/DC |
| Rated surge voltage | 1.5 kV |
| Operating current per contact | max. 4 A |

| | |
|-------------------|--|
| No. of poles | 5 |
| Material group | IEC 60664-1, category I |
| Coding | M12, A-coded |
| Locking of ports | Screw thread (M12×1 mm) recommended torque 0.6 Nm, self-securing |
| Compression gland | M12 (SW14) |
| Protection | IP67 inserted and tightened (EN 60529) |
| Locking material | Zinc die casting, matte nickel plated |
| Configuration | fully used |

General data

| | |
|-------------------|--------------|
| Pollution Degree | 3 |
| Temperature range | -25...+85 °C |

Cables

| | |
|----------------------------|--------------------------|
| No./diameter of wires | 5× 0.34 mm ² |
| Wire isolation | PVC (br, wh, bl, bk, gr) |
| Outer Ø | 1.4 mm ±5% |
| Cable number | 902 |
| Temperature range (fixed) | -40...+105 °C |
| Temperature range (mobile) | -5...+105 °C |
| Bend radius (fixed) | 5× outer Ø |

Commercial data

| | |
|-----------------------|---------------|
| country of origin | DE |
| customs tariff number | 85444290 |
| EAN | 4048879854504 |
| eClass | 27279220 |
| Packaging unit | 1.000 |