

M12 male 90° wireable screw term. F&B PRO4-pol. max.1,0mm² 3,5-6mm

M12 F&B Pro

Male 90°

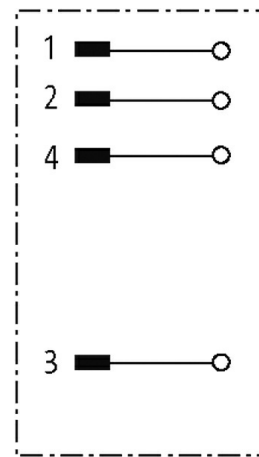
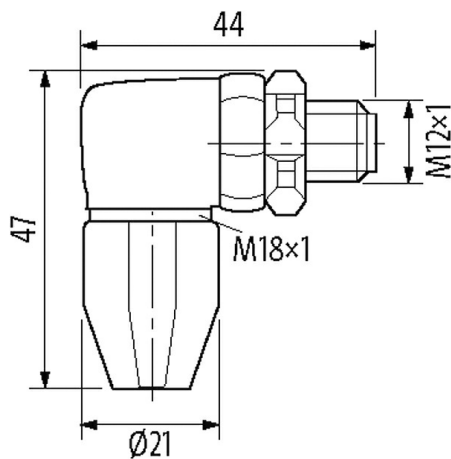
4-pole

Screw terminals

The resistance to aggressive media should be individually tested for your application. Further details on request.

[Link to Product](#)**Illustration**

Male



Product may differ from Image

Technical Data

Operating voltage	max. 250 V AC/300 V DC
Operating current per contact	max. 4 A
Connection cross section	0.25...1.0 mm ²
Sealing range (cable Ø)	3.5...6.0 mm
Locking of ports	Screw thread (M12×1 mm) recommended torque 0.6 Nm
Compression gland	M12 (SW19)
Protection	IP65, IP68, IP69K inserted and tightened (EN 60529)
Material	PA
Locking material	Stainless steel

General data

The information in this brochure has been compiled with the utmost care.

Liability for the correctness completeness and topicality of the information is restricted to gross negligence. Version: 03/22

Murrelektronik Ltd. | 5 Albion Street, Pendlebury Industrial Estate, Swinton | Manchester M27 4FG | Fon +44 161 728 3133 | Fax +44 161 728 3130 | shop@murrelektronik.co.uk | shop.murrelektronik.co.uk

Safety class	II
Temperature range	-25...+100 °C
Material (gasket)	EPDM
Commercial data	
country of origin	DE
customs tariff number	85366990
EAN	4048879811217
eClass	27279221
Packaging unit	1