

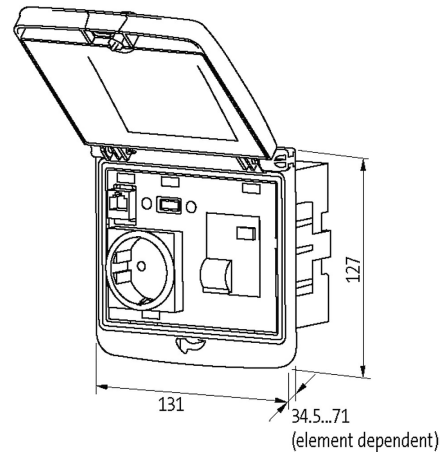
**MODLINK MSDD FRAME DBL GRAY**

Closure Daimler

Frame: plastic PA black

Lid: plastic, PBT gray

Closure: Daimler

[Link to Product](#)**Illustration**

Product may differ from Image

**Frame**

suitable for mounting with wall thickness	1...5 mm
Protection	IP65
Temperature range	-30...+70 °C (storage temperature -30...+80 °C)
Housing	Frame: plastic PA black, cap: plastic PBT gray

**General data**

Dimensions H×W×D	127×131×43 mm
------------------	---------------

**Commercial data**

country of origin	DE
customs tariff number	85389099
EAN	4048879388757
eClass	27144001
Packaging unit	1.000