

B6 Surface mounted h., high profile, IP65

Single locking lever m., side entry M32

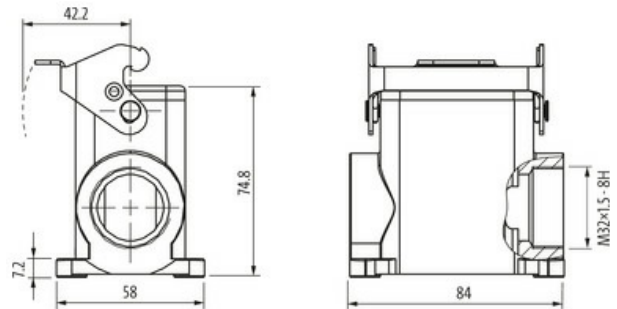
B6

Surface mounted housing (high)

Single locking lever

IP65

Technical data will be only guaranteed with Murrelektronik components.

[Link to Product](#)**Illustration**

Product may differ from Image

Technical Data

| | |
|----------------------|--|
| Mating cycles | min. 500 |
| Locking of ports | Single locking lever |
| Protection (housing) | IP65 inserted and tightened (EN 60529), with gland |

General data

| | |
|----------------------------|-------------------------|
| Material (gasket) | NBR |
| Temperature range | -40...+100 °C |
| Material (housing) | Aluminum die-cast |
| Housing type | Surface mounted housing |
| Threaded hole | M32 |
| Size | B6 |
| Cable outlet | laterally |
| Locking material | Steel (galvanized) |
| Climatic category | 40/100/21 (EN 60068-1) |
| Material (housing surface) | powder-coated |

Commercial data

| | |
|-----------------------|---------------|
| country of origin | CZ |
| customs tariff number | 85389099 |
| EAN | 4048879696227 |
| eClass | 27279221 |
| Packaging unit | 1.000 |