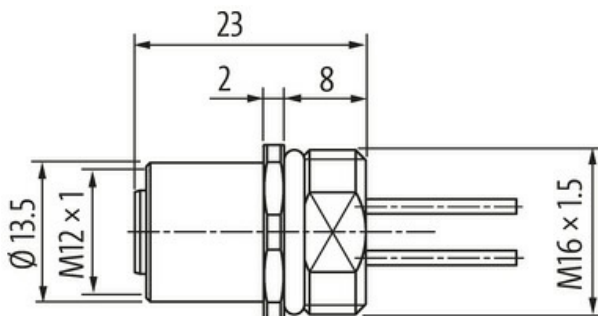
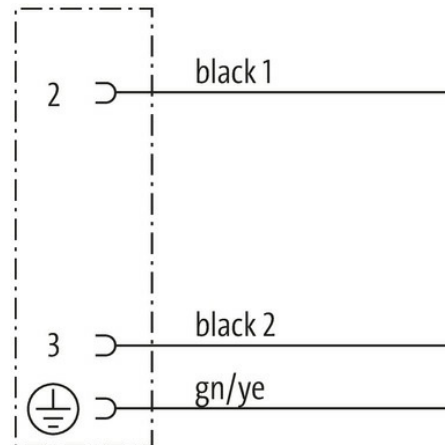


M12 female recept. C-cod. front

PP-wires 3x0.75 1m

Flange female
M12, 3-pole
C-coded
Front mounting
with multi-strand wire

[Link to Product](#)**Illustration**

Product may differ from Image

**Form**

Form 20221

Technical Data

Operating voltage	max. 250 V AC/DC
Rated surge voltage	2.5 kV
Operating current per contact	max. 4 A
No. of poles	3
Material group	IEC 60664-1, category I
Coding	C-coded

LED display	no
Locking of ports	Screw thread (M12×1 mm) recommended torque 0.6 Nm, self-securing
Compression gland	M12 (SW14)
Protection	IP67 inserted and tightened (EN 60529)
Locking material	Brass, nickel plated

General data

Pollution Degree	3
Temperature range	-25...+85 °C

Cables

No./diameter of wires	3× 0.75 mm ²
Wire isolation	PP (bk num, gnye)
Outer Ø	1.85 mm ±5%
Cable number	930
Temperature range (fixed)	-40...+80 °C
Temperature range (mobile)	-25...+80 °C
Bend radius (fixed)	5× outer Ø
Bend radius (moving)	10× outer Ø

Commercial data

country of origin	DE
customs tariff number	85444290
EAN	4048879380102
eClass	27279220
Packaging unit	1.000