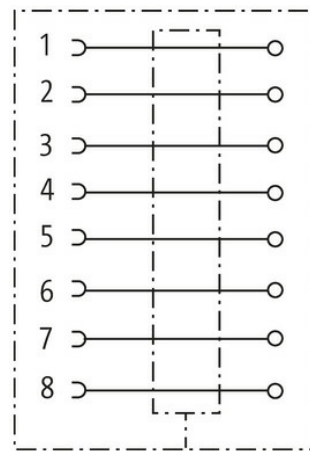


M12 female receptacle X coded rear mount solder

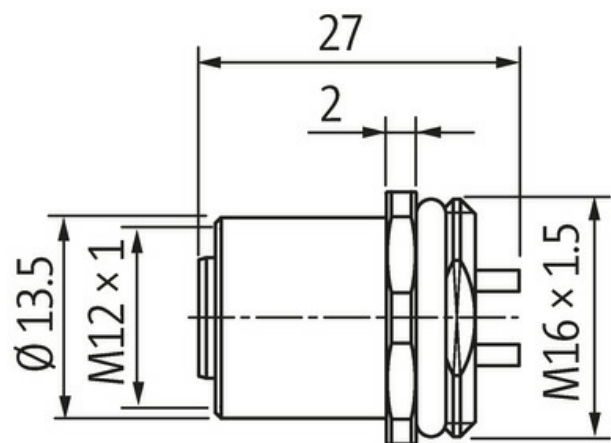
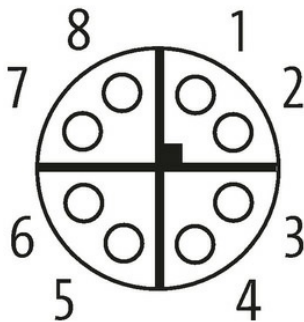
Ethernet CAT6A
Flange female
M12, 8-pole
X-coded
shielded
Solder connection
Rear mounting

[Link to Product](#)

Illustration



Female



Product may differ from Image




Form

Form 21161

Technical Data

Operating voltage	max. 50 V AC/60 V DC
Operating current per contact	max. 0.5 A
Transfer parameters	CAT6, Class EA (ISO/IEC 11801:2002), (EN 50173-1)

The information in this brochure has been compiled with the utmost care.
Liability for the correctness completeness and topicality of the information is restricted to gross negligence. Version: 03/22

Transfer rate	10 Gbit/s
Coding	M12, X-coded
Locking of ports	Screw thread (M12×1 mm) recommended torque 0.6 Nm, self-securing
Protection	IP67 inserted and tightened (EN 60529)
Housing	Brass, nickel plated

General data

Standards	DIN EN 61076-2-109 (M12)
Temperature range	-40...+85 °C

Commercial data

country of origin	DE
customs tariff number	85366990
EAN	4048879504126
eClass	27279220
Packaging unit	1.000