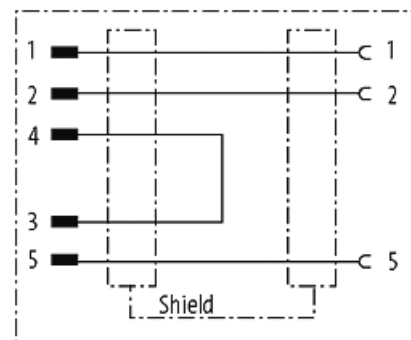
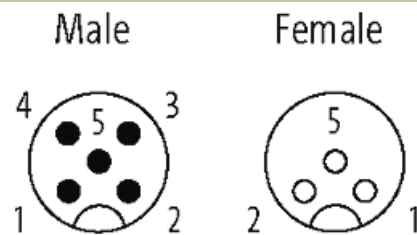
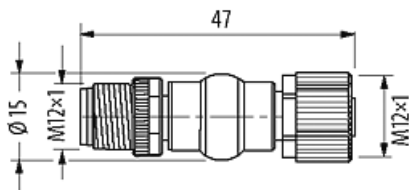


ADAPTOR M12 MALE 5 POLE/ M12 FEMALE 3 POLE SHIELDED

For analog sensors

Adapter
Male - female
M12 – M12, 5-pole
shielded

[Link to Product](#)**Illustration**

Product may differ from Image

**Form**

Form 42271

Technical Data

| | |
|------------------------------------|--|
| Operating voltage | max. 60 V AC/DC |
| Operating voltage (only UL listed) | max. 30 V AC/DC |
| Operating current per contact | max. 4 A |
| Locking of ports | Screw thread (M12×1 mm) recommended torque 0.6 Nm, self-securing |
| Protection | IP67 inserted and tightened (EN 60529) |
| Locking material | Zinc die casting, matte nickel plated |
| Material | PUR |

General data

| | |
|------------------------|----------------|
| Temperature range | -25...+85 °C |
| Test isolation voltage | 0.8 kV eff/rms |

Commercial data

| | |
|-----------------------|---------------|
| country of origin | DE |
| customs tariff number | 85366990 |
| EAN | 4048879332767 |
| eClass | 27143423 |
| Packaging unit | 1 |