

Gateway Profibus-DP/AS-i, 1 Master, P24

Spec. 3.0, Power 24

AS-Interface/PROFIBUS DP

Gateway-Singlemaster

Power 24V

Specification 3.0

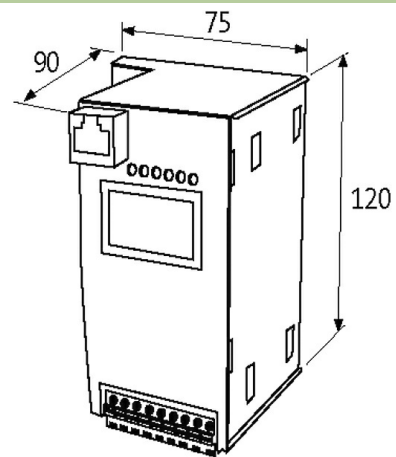
AS-Interface data decoupling integrated

Current manuals, GSD/type data can be downloaded at: www.murrelektronik.com

Other gateways on request.

Link to Product

Illustration



Product may differ from Image



General data

Standards	EN 61131-2, EN 62026-2, EN 61000-6-2, EN 61000-6-4
Mounting method	DIN-rail mountable (EN 60715)
Temperature range	0...+55 °C (storage temperature -25...+85 °C)
Test isolation voltage	min. 500 V
Protection	IP20
Dimensions HxWxD	120x75x90 mm

Fieldbus

Transfer rate	9.6...12 000 kbps, automatic detection
Type	PROFIBUS DP slave

AS-Interface

Operating current	max. 250 mA (AS-Interface)
Serial interface/diagnostic	None
Cycle time	150 µs × (number of slaves + 2)
Bus connection	via pluggable spring clamp plug-in terminals on the front 0.5...1.5 mm ²
No. of slaves	max. 62
Specification	3.0
Operating voltage	24 V DC (20...30.6 V DC - PELV)

Functions

-	Gateway-Singlemaster
-	AS-Interface duplicate address detection
-	AS-Interface data decoupling integrated
-	AS-Interface EMC detector integrated

Connections

Fieldbus	SUB-D9
----------	--------

Commercial data

country of origin	DE
customs tariff number	85176200
EAN	4048879600415
eClass	27242608
Packaging unit	1.000