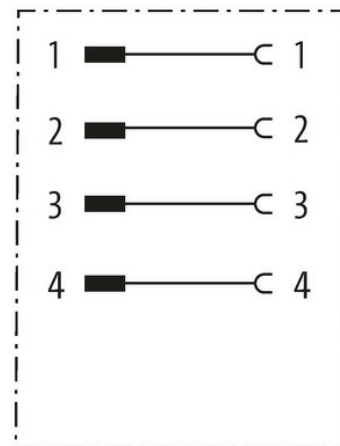
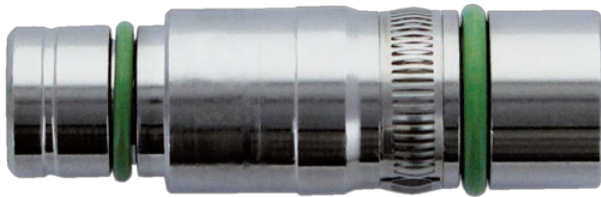


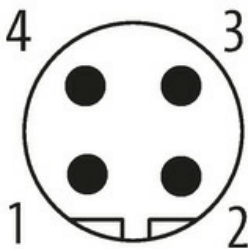
MODL.VARIO insert for coupling housing type B

B-code M12, female, shielded

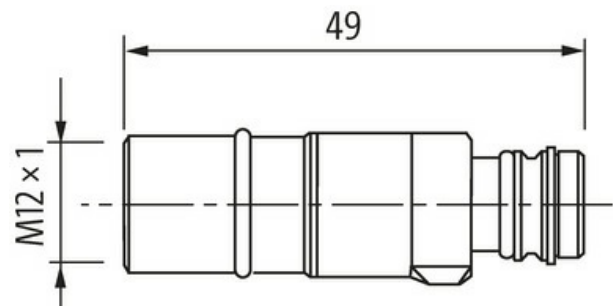
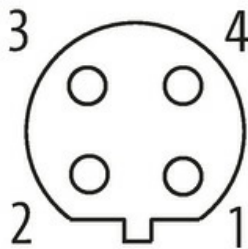
Insert - mobile housing
 Female straight – male straight
 M12, 4-pole
 B-coded

[Link to Product](#)**Illustration**

Male



Female



Product may differ from Image

Form

Form 44116

Technical Data

Rated surge voltage	1.5 kV
Operating current per contact	max. 4 A
No. of poles	4
Material group	IEC 60664-1, category I
Coding	B-coded
LED display	no
Locking of ports	Screw thread (M12×1 mm) recommended torque 0.6 Nm, self-securing
Compression gland	M12
Protection	IP65 and IP67 when plugged and screwed down (EN 60529)
Material	Brass, nickel plated
suitable for corrugated tube (internal Ø)	without

General data	
Standards	DIN EN 61076-2-101 (M12)
Mounting method	inserted, tightened
Material (contact)	Copper alloy
Material (contact surface)	Au
Material (gasket)	FKM
Pollution Degree	3
Temperature range	-25...+85 °C
Commercial data	
country of origin	DE
customs tariff number	85366990
EAN	4048879576505
eClass	27260702
Packaging unit	1.000