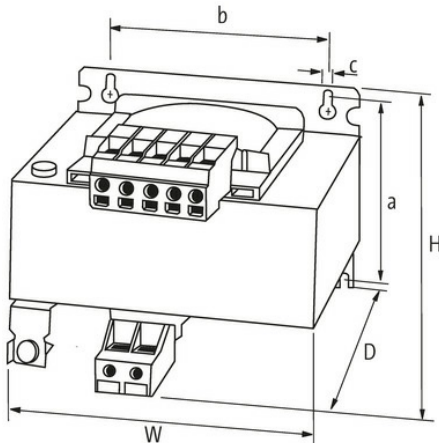
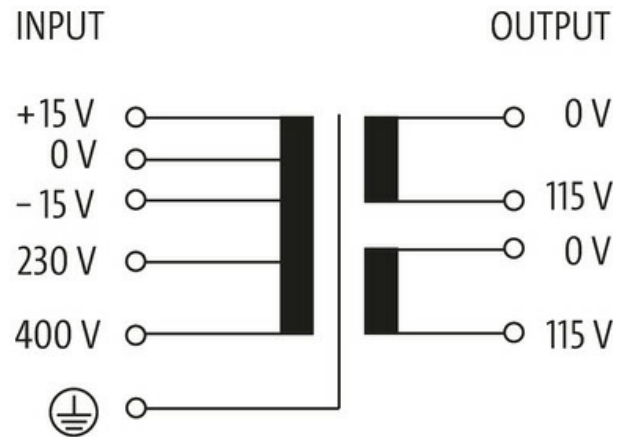


MST 1-PHASE CONTROL AND ISOLATION TRANSFORMER

P: 1000VA IN: 230/400VAC +/- 15VAC OUT: 2x115VAC

Single-phase - Control and Isolation Transformers
1000 VA
Isolation class T 40/B

[Link to Product](#)**Illustration**

Product may differ from Image

**General data**

Standards	EN 61558-1, EN 61558-2-4, EN 62041 category 0
Mounting method	Key-hole mounting
Temperature range	-20...+40 °C, no condensation
Test isolation voltage	5.8 kV (prim./sec.)
Drill hole Ø	7×11 mm
Fixing centers a×b×c	134×122×7 mm

The information in this brochure has been compiled with the utmost care.
Liability for the correctness completeness and topicality of the information is restricted to gross negligence. Version: 03/22

Dimensions H×W×D 156×150×146 mm

Output

Output voltage 1× 230, 1× 115, 2× 115 V AC

Output rating 1000 VA

Input

Input voltage 230/400 ±15 V AC

Inrush current 83 A (230 V AC); 42 A (400 V AC)

Short-circuit current 165 A (230 V AC); 94 A (400 V AC)

Input current 4.6 A (230 V AC); 2.7 A (400 V AC)

Frequency 50...60 Hz

Commercial data

country of origin CZ

customs tariff number 85043180

EAN 4048879366847

eClass 27031302

Packaging unit 1.000