

PASSIVE-DI0° PLASTIC,6XM12.4POL,PRE-WIRED CABLE

3.0m PUR-JB 6*0,34+3*0,75

6-way, 4-pole

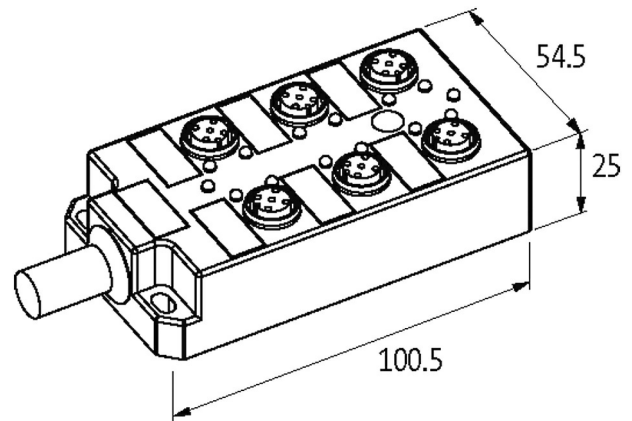
PUR/PVC

3.0 m

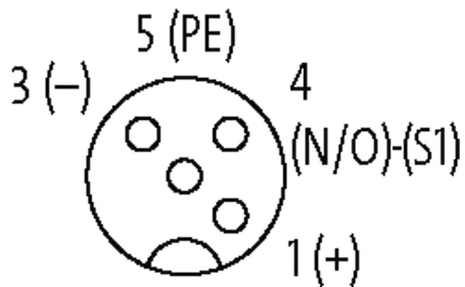
with LED for digital PNP-signals 24 V DC

Further cable lengths on request.

Plastic housings with good resistance against chemicals and oils.

[Link to Product](#)**Illustration**

M12 Females 4-pole



Product may differ from Image

Technical Data

Operating voltage	24 V DC
Operating current per contact	max. 4 A
Locking of ports	Screw thread (M12×1 mm)
Signal per port	1 - (31-32)
Total current	max. 10 A

General data

Temperature range	-20...+80 °C
Protection	IP67 inserted and tightened (EN 60529)
Dimensions H×W×D	100.5×54.5×25 mm

Cables	
No./diameter of wires	6× 0.34 + 3× 0.75 mm ²
Wire isolation	PVC (ye, wh, gn, gr, pk, rd+br, bl, gnye)
C-track properties	2 Mio.
Outer Ø	8.5 mm ±5%
Cable identification	355
Cable Type	PUR/PVC
Cable number	355
Approval (cable)	UL (AWM-Style 21441/10955), CE conform
Material (wire)	Cu wire, bare
Resistor (core)	max. 57 Ω/km (0.34 mm ²), max. 26 Ω/km (0.75 mm ²); (20 °C)
Construction (core)	19× 0.15 mm (0.34 mm ²); 42× 0.15 mm (0.75 mm ²); (multi-strand wire class 5/6)
Diameter (core)	6× 0.34 + 3× 0.75 mm ²
AWG	similar to AWG 22 (0.34 mm ²); similar to AWG 18 (0.75 mm ²)
Material (wire isolation)	PVC
Wire-Ø incl. isolation	1.3 mm ±5% (0.34 mm ²); 1.8 mm ±5% (0.75 mm ²)
Material (jacket)	PUR/PVC
Outer-Ø (jacket)	8.5 mm ±5%
Color (jacket)	gray
Jacket Color	gray
chemical resistance	good resistance to oil, gasoline and chemicals
Nominal voltage	300/300 V AC
Test voltage	2000 V AC
Temperature range (fixed)	-30...+80 °C
Temperature range (fixed)	-30...+80 °C
Temperature range (mobile)	-5...+70 °C
Temperature range (mobile)	-5...+70 °C
Bend radius (moving)	12× outer Ø
Bend radius (moving)	12× outer Ø
No. of bending cycles (C-track)	1.5 Mio.
Travel speed (C-track)	max. 2 m/s
Acceleration (C-track)	max. 5 m/s ²
Material (jacket)	PUR/PVC
Contact Layout	
PIN 1	(+)
PIN 3	(-)
PIN 4	(NO)/(S1)
PIN 5	(Earth)
	LED (green): Power / LED (yellow): (S1)
Commercial data	
country of origin	CZ
customs tariff number	85444290
EAN	4048879062855
eClass	27279219
Packaging unit	1.000