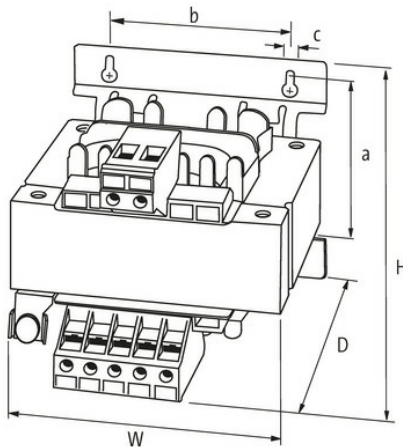
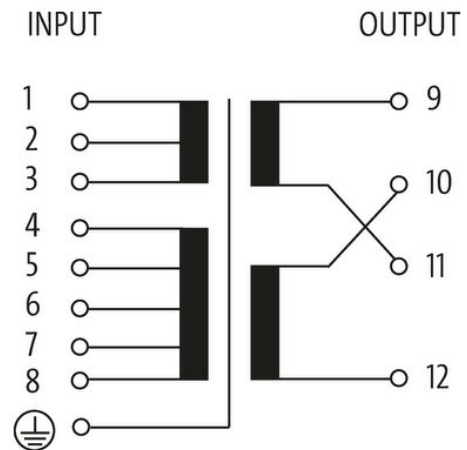


**MTS 1-PHASE CONTROL AND ISOLATION TRANSFORMER**

P: 160VA IN: 208...550VAC OUT: 2x115VAC

Single-phase - Control and Isolation Transformers  
 160 VA  
 Isolation class T 40/B  
 Other voltages on request.

[Link to Product](#)**Illustration**

Product may differ from Image

**General data**

Standards	EN 61558-1, EN 61558-2-4, EN 62041 category 0
Mounting method	Long-hole mounting or DIN-rail mountable TH35 (EN 60715)
Temperature range	-20...+40 °C (storage temperature -20...+80 °C)
Test isolation voltage	4 kV (prim./sec.)
Drill hole Ø	4.8×8.4 mm
Fixing centers a×b×c	86.5×84×4.8 mm

The information in this brochure has been compiled with the utmost care.  
 Liability for the correctness completeness and topicality of the information is restricted to gross negligence. Version: 03/22

Dimensions H×W×D 101×96×106 mm

**Output**

Output voltage 1× 230, 1× 115, 2× 115 V AC

Output rating 160 VA

**Input**

Input voltage 208, 230, 380, 400, 420, 440, 460, 480, 500, 525, 550 V AC

Inrush current 6 A (230 V AC); 3.46 A (400 V AC)

Short-circuit current 9.5 A (230 V AC); 5.5 A (400 V AC)

Input current 0.78 A (230 V AC); 0.45 A (400 V AC)

Frequency 50...60 Hz

**Commercial data**

country of origin CZ

customs tariff number 85043180

EAN 4048879078757

eClass 27031302

Packaging unit 1.000