

## SUPPRESSOR FOR CONTACTORS

VDR, 110 VAC/DC, 100 VA/W

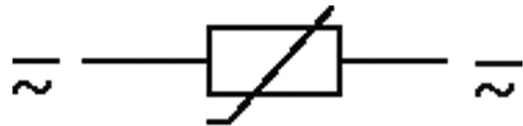
110 V AC/DC

VDR

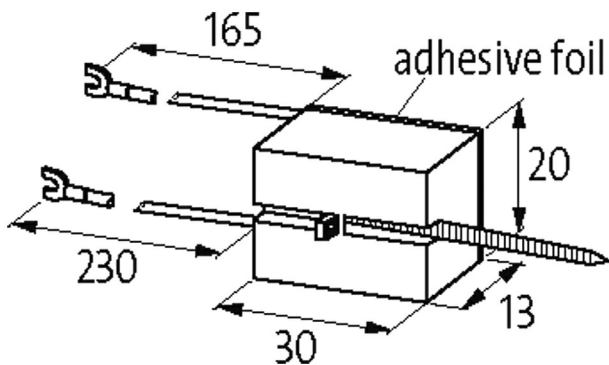
For other configurations and voltages, please inquire.

### [Link to Product](#)

#### Illustration



VDR



Product may differ from Image



#### Technical Data

Input voltage	48...130 V AC/DC
Material	Flame retardant plastic acc. to (UL 94)
Damping factor	approx. 1.5× UN
Connection wires	self-securing cable forks
max. power (W)	max. 100 W (VA)

#### General data

Temperature range	-20...+70 °C
Dimensions H×W×D	30×20×13 mm

#### Appropriate contactors

universal

Commercial data	
country of origin	CZ
customs tariff number	85363010
EAN	4048879018142
eClass	27371013
Packaging unit	1.000