

SUPPRESSOR FOR CONTACTORS

RC, 400 VAC/DC 50 VA/W

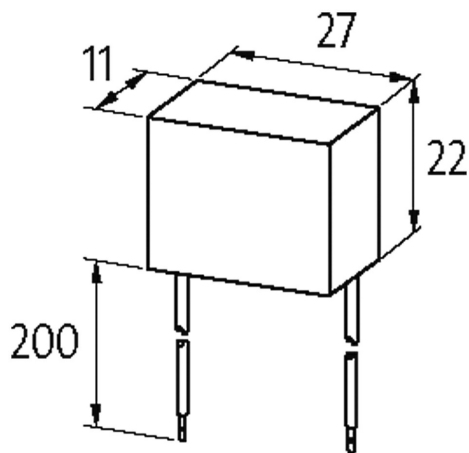
400 V AC/DC

RC

For other configurations and voltages, please inquire.

[Link to Product](#)**Illustration**

RC



Product may differ from Image

**Technical Data**

Input voltage	240...400 V AC/DC
Material	Flame retardant plastic acc. to (UL 94)
Damping factor	approx. 1.5× UN
Connection wires	flexible connection wires
max. power (W)	max. 50 W (VA)

General data

Temperature range	-20...+70 °C
-------------------	--------------

Dimensions H×W×D	22×27×11 mm
------------------	-------------

Appropriate contactors

universal

Commercial data

country of origin	CZ
-------------------	----

customs tariff number	85363010
-----------------------	----------

EAN	4048879020305
-----	---------------

eClass	27371013
--------	----------

Packaging unit	1.000
----------------	-------