

**M12 female 0° A-cod. with cable**

SABIX 8x0.25 gy 20m

Female straight

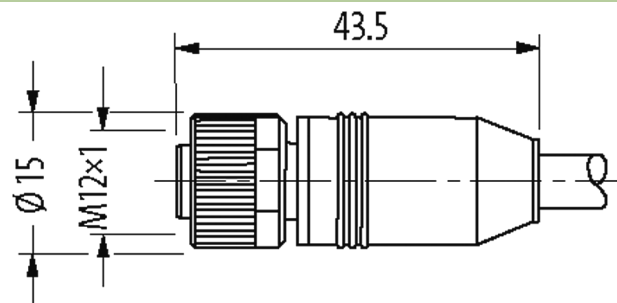
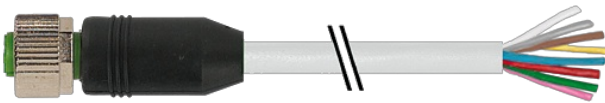
M12, 8-pole

with cable sleeves

Plastic housings with good resistance against chemicals and oils.

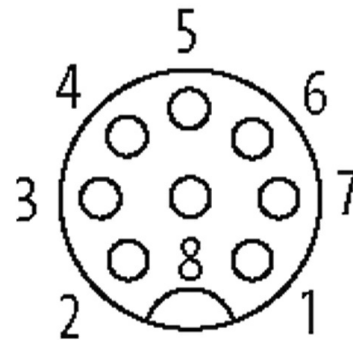
The resistance to aggressive media should be individually tested for your application. Further details on request.

Further cable lengths on request.

**[Link to Product](#)****Illustration**

|   |        |
|---|--------|
| 1 | white  |
| 2 | brown  |
| 3 | green  |
| 4 | yellow |
| 5 | gray   |
| 6 | pink   |
| 7 | blue   |
| 8 | red    |

Female



Product may differ from image

**Form**

Form 17041

**Technical Data**

|                                           |                                                                  |
|-------------------------------------------|------------------------------------------------------------------|
| Operating voltage                         | max. 30 V AC/DC                                                  |
| Rated surge voltage                       | 0.8 kV                                                           |
| Operating current per contact             | max. 2 A                                                         |
| No. of poles                              | 8                                                                |
| Material group                            | IEC 60664-1, category I                                          |
| Coding                                    | A-coded                                                          |
| Locking of ports                          | Screw thread (M12x1 mm) recommended torque 0.6 Nm, self-securing |
| Compression gland                         | M12 (SW13)                                                       |
| Locking material                          | Zinc die casting, matte nickel plated                            |
| Material                                  | PUR                                                              |
| suitable for corrugated tube (internal Ø) | without                                                          |

| General data               |                                          |
|----------------------------|------------------------------------------|
| Standards                  | DIN EN 61076-2-101 (M12)                 |
| Mounting method            | inserted, tightened                      |
| Pollution Degree           | 3                                        |
| Stripping length (jacket)  | 60 mm                                    |
| Temperature range          | -25...+85 °C, depending on cable quality |
| Cables                     |                                          |
| Cable identification       | R42                                      |
| Cable Type                 | Bahnkabel                                |
| Approval (cable)           | DIN EN 45545-2, CE conform               |
| Cable weight [g/m]         | 47,30                                    |
| Material (wire)            | Cu wire, bare                            |
| Resistor (core)            | max. 78 Ω/km (20 °C)                     |
| Single wire Ø (core)       | 0.15 mm                                  |
| Construction (core)        | 14× 0.15 mm (multi-strand wire class 5)  |
| Diameter (core)            | 8× 0.25 mm <sup>2</sup>                  |
| AWG                        | similar to AWG 24                        |
| Material (wire isolation)  | Special Sabix                            |
| Wire-Ø incl. isolation     | 1.15 mm ±5%                              |
| Color/numbering of wires   | br, wh, rd, bl, pk, gr, ye, gn           |
| Stranding combination      | 8 wires twisted around central filler    |
| Material (jacket)          | Special Sabix                            |
| Outer-Ø (jacket)           | 5.2 mm ±5%                               |
| Color (jacket)             | gray                                     |
| Nominal voltage            | 500 V                                    |
| Test voltage               | 1500 V AC                                |
| Current load capacity      | according to DIN VDE 0891-1              |
| Temperature range (fixed)  | -40...+90 °C                             |
| Temperature range (mobile) | -30...+90 °C                             |
| Bend radius (fixed)        | 5× outer Ø                               |
| Bend radius (moving)       | 10× outer Ø                              |
| Jacket Color               | gray                                     |
| Commercial data            |                                          |
| country of origin          | DE                                       |
| customs tariff number      | 85444290                                 |
| EAN                        | 4048879694971                            |
| eClass                     | 27061801                                 |
| Packaging unit             | 1                                        |