

M12 FEMALE 90° SELF WIREABLE SCREW TERMINAL5-pol. 0,14 - 1,5mm², 2,5-8mm cable diameter

Female 90°

M12, 5-pole

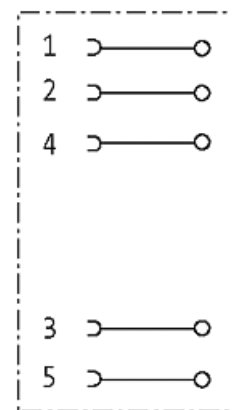
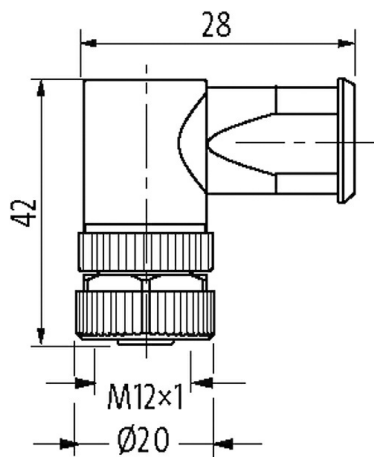
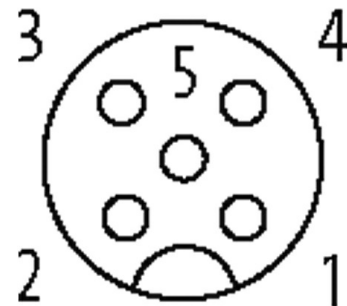
Screw terminals

Plastic housings with good resistance against chemicals and oils.

The resistance to aggressive media should be individually tested for your application. Further details on request.

[Link to Product](#)**Illustration**

Female



Product may differ from Image

**Form**

Form 13011

Technical Data

Operating voltage	max. 60 V AC/DC
Operating current per contact	max. 7.5 A (+40 °C; 1.5 mm ²)
Connection cross section	max. 1.5 mm ²

Sealing range (cable Ø)	2.5...8.0 mm
Locking of ports	Screw thread (M12×1 mm) recommended torque 0.6 Nm
Protection	IP67 inserted and tightened (EN 60529)

General data

Temperature range	-30...+85 °C
-------------------	--------------

Commercial data

country of origin	CZ
customs tariff number	85366990
EAN	4048879428774
eClass	27279221
Packaging unit	1