

**M8 female 90° A-cod. with cable LED**

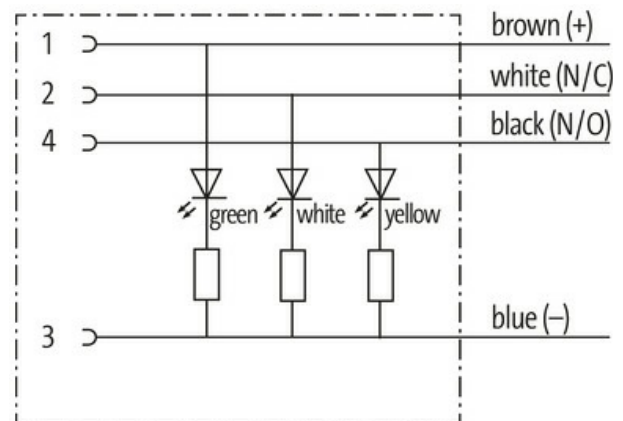
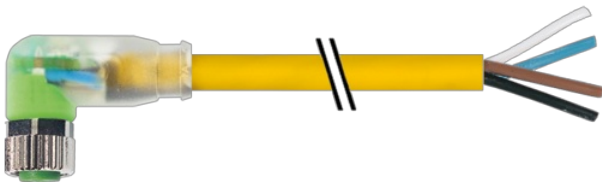
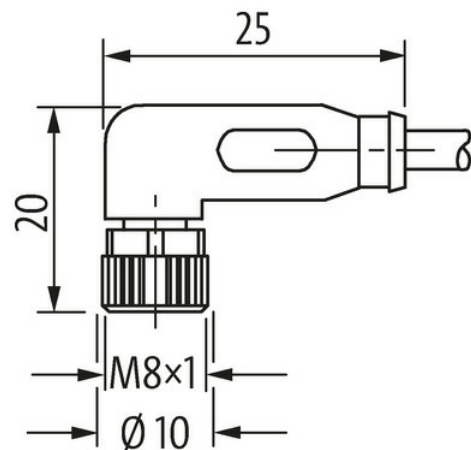
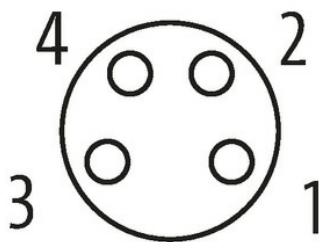
PUR 4x0.25 ye UL/CSA 5m

Female 90°  
M8, 4-pole  
3× LED (PNP)  
with cable sleeves

Plastic housings with good resistance against chemicals and oils.

The resistance to aggressive media should be individually tested for your application. Further details on request.

Further cable lengths on request.

**[Link to Product](#)****Illustration****Female**

Product may differ from Image



\* only for products with UL/CSA approved cable

**Form**

Form

08141

**Technical Data**

Operating voltage

24 V DC  $\pm 25\%$

|   |  |
|---|--|
| Operating voltage (only UL listed)        | max. 30 V DC   |
| Rated surge voltage                       | 0.8 kV   |
| Operating current per contact             | max. 4 A   |
| Material group                            | IEC 60664-1, category I  |
| LED display                               | LED (green): Power / LED (yellow): (S1) / LED (white): Signal (S2) |
| Locking of ports                          | Screw thread (M8x1 mm) recommended torque 0.4 Nm, self-securing    |
| Compression gland                         | M8 (SW9)   |
| Protection                                | IP65, IP66K, IP67 inserted and tightened (EN 60529)                |
| Material                                  | PUR  |
| Locking material                          | Zinc die casting, matte nickel plated                              |
| suitable for corrugated tube (internal Ø) | 6.5 mm   |

#### General data

|                   |  |
|-------------------|--|
| Standards         | DIN EN 61076-2-104 (M8)                  |
| Pollution Degree  | 3  |
| Temperature range | -25...+85 °C, depending on cable quality |

#### Cables

|                                    |  |
|------------------------------------|--|
| Cable identification               | 021  |
| Cable Type                         | 2 (PUR/PVC)  |
| Approval (cable)                   | UL (AWM-Style 20549/1731), CSA; CE conform   |
| Cable weight [g/m]                 | 32,01 g  |
| Material (wire)                    | Cu wire, bare  |
| Resistor (core)                    | max. 79 Ω/km (20 °C)   |
| Single wire Ø (core)               | 0.1 mm   |
| Construction (core)                | 32x 0.1 mm (multi-strand wire class 6)   |
| Diameter (core)                    | 4x 0.25 mm <sup>2</sup>  |
| AWG                                | similar to AWG 24  |
| Material (wire isolation)          | PVC  |
| Material property (wire isolation) | CFC-, cadmium-, silicone- and lead-free  |
| Shore hardness (wire isolation)    | 43 ±5 D  |
| Wire-Ø incl. isolation             | 1.25 mm ±5%  |
| Color/numbering of wires           | br, bk, bl, wh   |
| Stranding combination              | 4 wires twisted  |
| Shield                             | no   |
| Material (jacket)                  | PUR  |
| Material property (jacket)         | CFC-, halogen-, cadmium-, silicone- and lead-free, matt, low-adhesion, machine easy to process, abrasion-resistant, hydrolysis and microbial resistant |
| Shore hardness (jacket)            | 85 ±5 A  |
| Outer-Ø (jacket)                   | 4.6 mm ±5%   |
| Color (jacket)                     | yellow   |
| chemical resistance                | good resistance to oil, gasoline and chemicals   |
| Nominal voltage                    | UL 300 V AC  |
| Test voltage                       | 2000 V AC  |
| Current load capacity              | to DIN VDE 0298-4  |
| Temperature range (fixed)          | -30...+80 °C   |
| Temperature range (mobile)         | -5...+80 °C  |
| Bend radius (fixed)                | 10x outer Ø  |
| Bend radius (moving)               | 15x outer Ø  |
| No. of bending cycles (C-track)    | max. 2 Mio. (25 °C)  |
| Travel speed (C-track)             | max. 3.3 m/s   |
| Acceleration (C-track)             | max. 5 m/s <sup>2</sup>  |

#### Commercial data

|                       |          |
|-----------------------|----------|
| country of origin     | DE       |
| customs tariff number | 85444290 |

|                |               |
|----------------|---------------|
| EAN            | 4048879760287 |
| eClass         | 27279218      |
| Packaging unit | 1.000         |