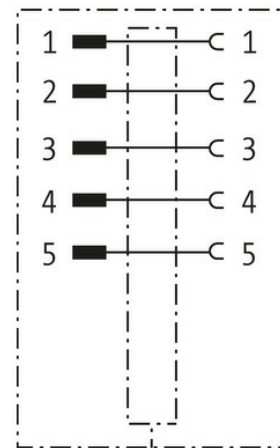
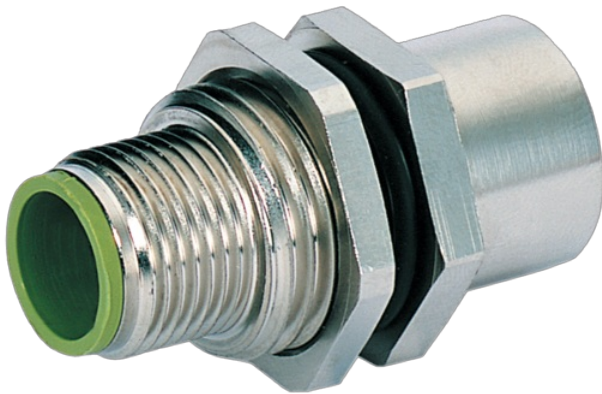


M12 BULKHEAD FLANGE PLUGS 5 POLE A CODED V2A

Control cabinet entry system
 Male - female
 M12, 5-pole
 A-coded
 shielded
 Stainless steel 1.4305 (V2A)

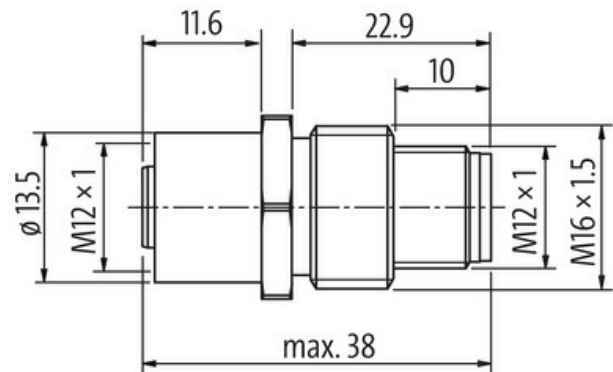
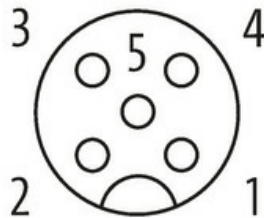
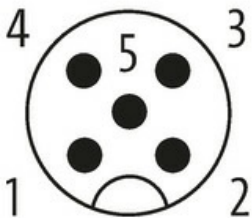
[Link to Product](#)

Illustration



Male

Female



Product may differ from Image

Form

Form 42111

Technical Data

Operating voltage	max. 60 V AC/DC
Operating current per contact	max. 4 A
Locking of ports	Screw thread (M12×1 mm) recommended torque 0.6 Nm, self-securing
Protection	IP65, IP66K, IP67, IP68, IP69K inserted and tightened (EN 60529)
Material	Stainless steel 1.4305 (V2A)

General data

Temperature range	-25...+85 °C
Mounting set	M16×1.5 mm

Commercial data

country of origin	CZ
customs tariff number	85366990
EAN	4048879314435
eClass	27279220
Packaging unit	1.000