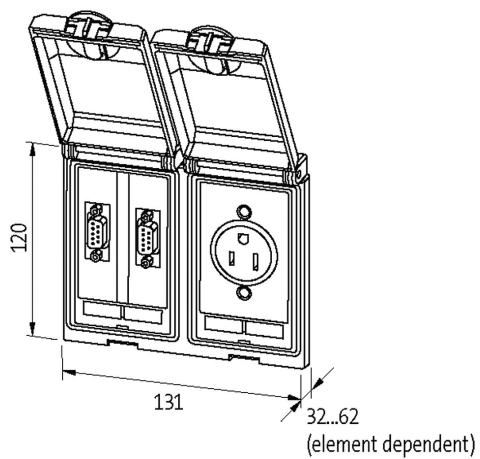


Modlink MSDD-set: Frame 4000-68122-0000000,
insert 4000-68000-1430000 + 4000-68000-0110000

[Link to Product](#)

Illustration



Product may differ from Image

Frame	
suitable for mounting with wall thickness	1...5 mm
Protection	IP65
Temperature range	-10...+60 °C (storage temperature -25...+60 °C)
Housing	Zinc die-casting, KTL coated
RJ45	
Operating current (UL Rating)	max. 175 mA
Locking of ports	Snap In
Connection front side	RJ45
Connection rear side	RJ45
Operating voltage (UL Rating)	max. 30 V AC/42.4 V DC
Specification	CAT5e, Class D, 100 MHz, (EN 50173-1)
SUB-D9	
Connection rear side	SUB-D (male)
Operating current (UL Rating)	max. 175 mA
Connection front side	SUB-D (female)
Locking of ports	UNC 4...40 bolt
Operating voltage (UL Rating)	max. 30 V AC/42.4 V DC
Operating current	3 A
No. of poles	9-pole
Operating voltage	48 V AC/DC
USB	
Operating current	1.5 A
Specification	USB: 3.0 (max. 5 Gbit/s)
Locking of ports	Snap In
Operating voltage	48 V AC/DC
Operating voltage (UL Rating)	max. 30 V AC/42.4 V DC
USA	
Operating current	3 A
Operating voltage	125 V AC
No. of poles	2 + PE
Connection	Plug-solder connection: 4.8x0.5 mm
Shielding plate	
Tightening torque	0.9 Nm ±0.1
Connection	Threaded hole M4
Commercial data	
country of origin	CZ
customs tariff number	85366990
EAN	4048879035354
eClass	27189217
Packaging unit	1.000