

## MVK Fusion with cooler

MVK PN FDI6/3 FDO2/1 DIO4 IOL2 IRT PP K

safe inputs/outputs up to cat.4/PLe (EN ISO 13849-1), up to SIL3 (IEC 61508), up to SILCL3 (IEC 62061)

Housing fully potted.

Double safety output port

FDI6/3 FDO2/1 DIO4 IOL2 (IRT)

Ethernet 10/100 Mbit/s; Push Pull RJ45 Data connector

Push Pull Power connector, max. 16 A

M12, 5-pole, A-coded

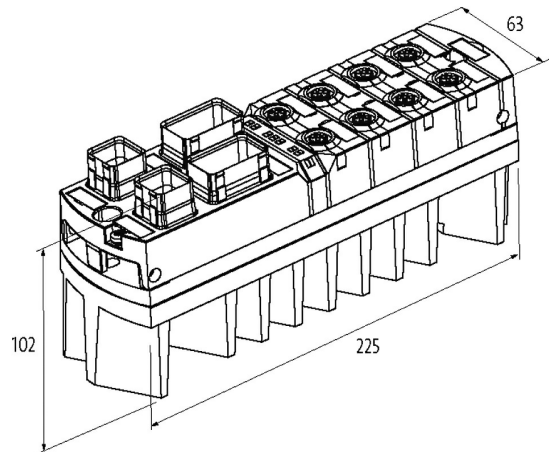
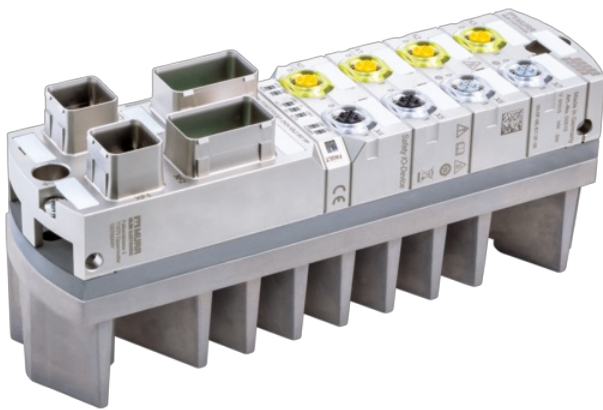
Galvanic isolation

with heat sink

Connection cables are in the online shop under "Connection Technology".

### Link to Product

#### Illustration



Product may differ from Image



#### General data

Mounting method	2-hole screw mounting
Temperature range	-20...+60 °C (storage temperature -40...+85 °C)
Protection	IP67
Dimensions H×W×D	102×63×225 mm

#### Output

Actuator supply UA	24 V DC (EN 61131-2), max. 8 A
Switching current per output	max. 2 A (short-circuit and overload protected)

#### Input

Sensor supply US	24 V DC (EN 61131-2), max. 700 mA (M12 female), short-circuit and overload protected
Type	for 3-wire sensors or mechanical switches, PNP, IO-Link Devices

#### IO-Link

Specification	IO-Link Master V1.1.2
Port Class	1× Class A; 1× Class B (galvanically separated)
IO-Link	2× Master
Transfer parameters	32 Byte (In) 32 Byte (Out) per IO-Link port

The information in this brochure has been compiled with the utmost care.

Liability for the correctness completeness and topicality of the information is restricted to gross negligence. Version: 03/22

Murrelektronik Ltd. | 5 Albion Street, Pendlebury Industrial Estate, Swinton | Manchester M27 4FG | Fon +44 161 728 3133 | Fax +44 161 728 3130 | shop@murrelektronik.co.uk | shop.murrelektronik.co.uk

Operating modes COM1; COM2; COM3 (automatic)

#### Parameterization

PIN 4 Input/Output (port X4, X5); Input (port X6, X7)

PIN 2 Input/Output (port X4, X5); Input (port X6)

#### Connections

Fieldbus Ethernet 10/100 Mbit/s; Push Pull RJ45 Data connector

Sensor-system/actuator supply Push Pull Power connector, max. 16 A

I/O ports M12, 5-pole, A-coded

#### PROFINET

Specification V2.3, Conformance Class C (IRT)

Addressing DCP

PROFINET Netload Class III

MRP yes

Shared Device yes, for 2 controls

#### Diagnostic

Communication status via LED

Diagnostic via LED per module and channel

Diagnostic via BUS per module and channel

Actuator warning per channel via LED and BUS

Monitoring - under voltage yes

Monitoring - no voltage yes

Short-circuit and overload yes

Cross-link detection Sensor/Actuator

Wire break detection yes

#### Commercial data

country of origin DE

customs tariff number 85389099

EAN 4048879735926

Packaging unit 1.000