

MB CAP ULTRA BUFFER MODULE

IN: 24VDC OUT: 24VDC/40A for max. 1A/170S

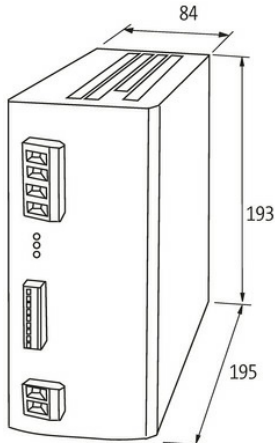
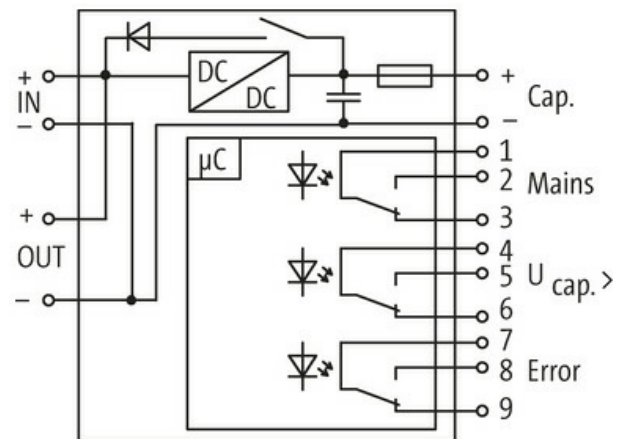
INPUT: 24 V DC (SELV/PELV)

OUTPUT: max. 40 A

3.6 s (40 A); 170 s (1 A)

Link to Product

Illustration



Product may differ from Image



General data

Standards	EN 61000-6-2, EN 61000-6-4
Mounting method	DIN-rail mountable TH35-7.5/TH35-15 (EN 60715)
Temperature range	-20...+60 °C (storage temperature -20...+60 °C)
Efficiency	90%

Output

Output voltage	25.5...19 V DC $\pm 2\%$
Buffer time	3.6 s (40 A); 170 s (1 A)

The information in this brochure has been compiled with the utmost care. Liability for the correctness completeness and topicality of the information is restricted to gross negligence. Version: 03/22

Output current max. 40 A (+60 °C)

Input

Input voltage 21.6...26.4 V DC

Inrush current max. 36.5 A

Loading time typ. 140 s; max. 300 s

Input current 40 A

Commercial data

country of origin DE

customs tariff number 85322900

EAN 4048879404990

eClass 27049190

Packaging unit 1.000