

## MOTOR SUPPRESSOR

RC, 3x575VAC/5,5kW

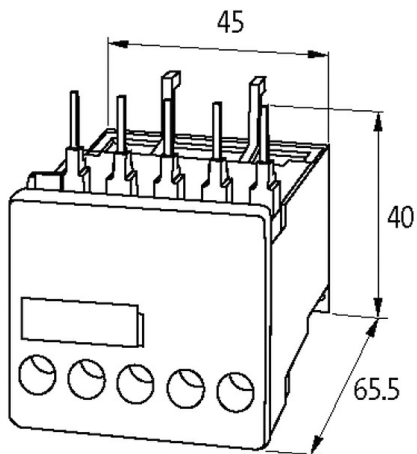
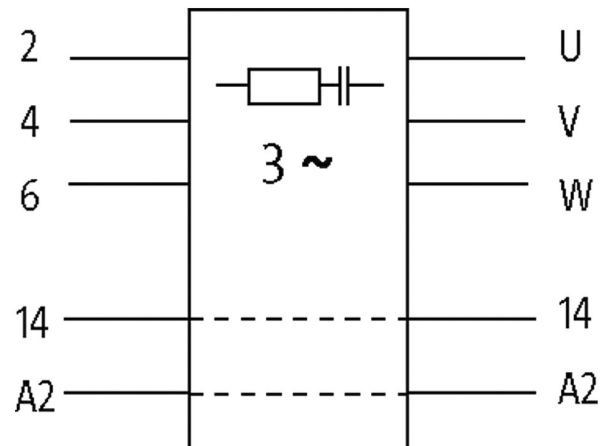
3× 575 V AC

RC

Suppressors for other voltages, frequencies, and motor ratings available on request. Do not use RC motor suppressors with frequency inverters.

### [Link to Product](#)

#### Illustration



Product may differ from Image



#### Technical Data

Input voltage	575...575 V AC
Material	Flame retardant plastic acc. to (UL 94)
Operating frequency	50...60 Hz

#### General data

Temperature range	-20...+60 °C
Connection	fits directly into SIRIUS contactors, size 00

The information in this brochure has been compiled with the utmost care. Liability for the correctness completeness and topicality of the information is restricted to gross negligence. Version: 03/22

Dimensions H×W×D 40×45×65.5 mm

**Appropriate contactors**

Siemens 3 RT 10, 3 RT 20 screw terminal

**Commercial data**

country of origin	CZ
customs tariff number	85363010
EAN	4048879018869
eClass	27371013
Packaging unit	1.000