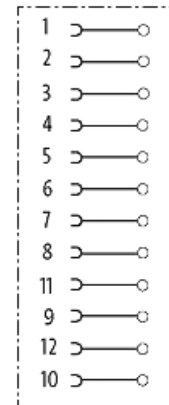
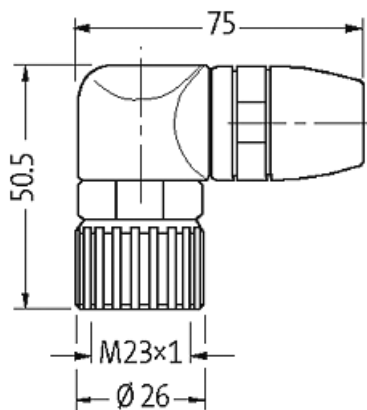
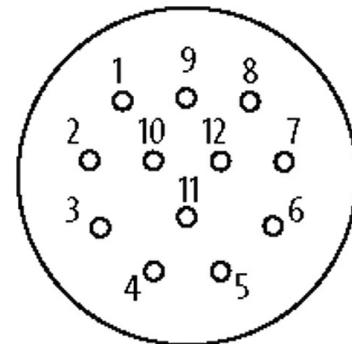


MSCON-B

Female 90°
M23, 12-pole
Solder connection

[Link to Product](#)**Illustration**

Female



Product may differ from Image

Form

Form	23161
------	-------

Technical Data

Operating voltage	max. 125 V AC/DC
Operating current per contact	max. 8 A
Connection cross section	max. 1 mm ²
Sealing range (cable Ø)	8...14 mm
Connection	Solder buckets
Protection	IP67 inserted and tightened (EN 60529)

General data

Temperature range	-25...+85 °C
-------------------	--------------

Commercial data

country of origin	CZ
customs tariff number	85366990

EAN	4048879188258
eClass	27279221
Packaging unit	1