

## UNIVERSAL CONTACTOR SUPPRESSOR

Varistor, 24VDC/50VA/W

24 V AC/DC

VDR

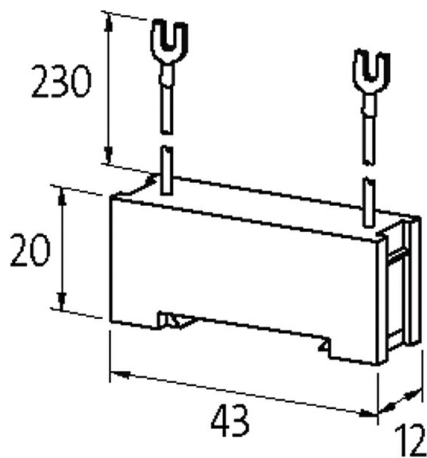
For other configurations and voltages, please inquire.

### [Link to Product](#)

#### Illustration



VDR



Product may differ from Image



#### Technical Data

Input voltage	24...24 V AC/DC
max. power (W)	50 W (VA)

#### General data

Temperature range	-20...+70 °C
Dimensions H×W×D	20×43×12 mm

#### Appropriate contactors

universal

**Commercial data**

country of origin	CZ
customs tariff number	85363010
EAN	4048879018234
eClass	27371013
Packaging unit	1.000