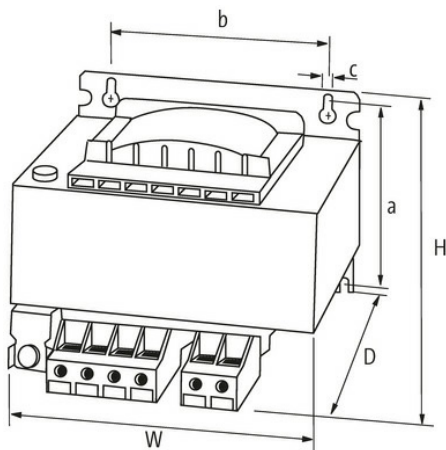
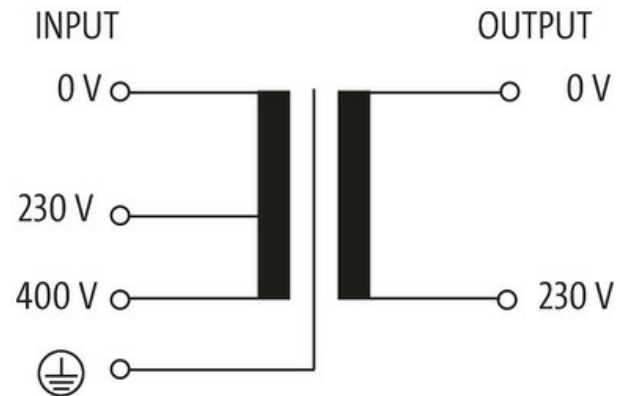


MST 1-PHASE CONTROL AND ISOLATION TRANSFORMER

P: 500VA IN: 230/400VAC OUT: 230VAC

Single-phase - Control and Isolation Transformers
 500 VA
 Spring clamp terminals
 Isolation class T 40/B
 Other voltages on request.

[Link to Product](#)**Illustration**

Product may differ from Image

**General data**

Standards	EN 61558-2-4, EN 62041 category 0
Mounting method	Key-hole mounting
Temperature range	-20...+40 °C (storage temperature -40...+80 °C)
Test isolation voltage	4 kV (prim./sec.)
Drill hole Ø	5.8x10 mm

Fixing centers a×b×c	87×104×5.8 mm
Dimensions H×W×D	108×135×133.6 mm

Output

Output voltage	230 V AC
Output rating	500 VA

Input

Input voltage	230/400 V AC
Inrush current	28.1 A (230 V AC); 16.3 A (400 V AC)
Short-circuit current	54 A (230 V AC); 31.2 A (400 V AC)
Input current	2.4 A (230 V AC); 1.4 A (400 V AC)
Frequency	50...60 Hz

Commercial data

country of origin	CZ
customs tariff number	85043180
EAN	4048879066228
eClass	27031302
Packaging unit	1.000