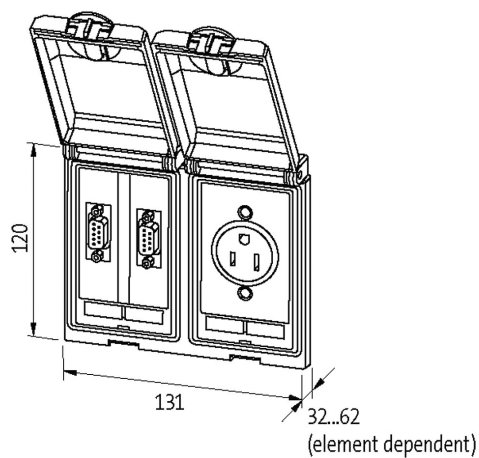


Modlink MSDD-set: Frame 4000-68223-000000,

insert 4000-68000-0900000 + 4000-68000-0030000

[Link to Product](#)**Illustration**

Product may differ from Image

Frame

The information in this brochure has been compiled with the utmost care.
Liability for the correctness completeness and topicality of the information is restricted to gross negligence. Version: 03/22

suitable for mounting with wall thickness	1...5 mm
Protection	IP65
Housing	Frame: zinc die-casting, with surface finishing, Lid: plastic, PC transparent
Temperature range	-10...+60 °C (storage temperature -25...+60 °C)

USB

Operating voltage	48 V AC/DC
Operating voltage (UL Rating)	42.4 V DC
Operating current	max. 500 mA
Locking of ports	Snap In
Specification	USB: 2.0 (max. 480 Mbit/s)

USA

Operating voltage	125 V AC
Operating current	15 A
No. of poles	2 + PE
Connection	Plug-solder connection: 4.8x0.5 mm

Commercial data

country of origin	CZ
customs tariff number	85366990
EAN	4048879032643
eClass	27189217
Packaging unit	1