

## MOTOR SUPPRESSOR

Varistor, 3x575VAC/10kW

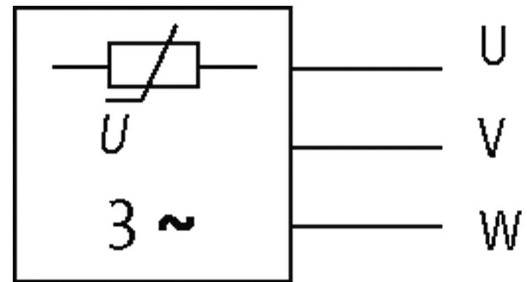
3× 575 V AC

VDR

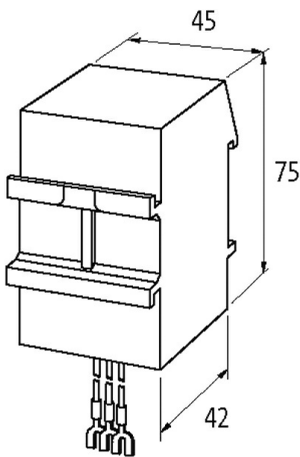
Suppressors for other voltages, frequencies, and motor ratings available on request. Do not use RC motor suppressors with frequency inverters.

### [Link to Product](#)

#### Illustration



VDR



Product may differ from Image



#### Technical Data

Frequency	10...400 Hz
Input voltage	575...575 V AC
Material	Flame retardant plastic acc. to (UL 94)
Potting compound	2-component epoxy

#### General data

Temperature range	-20...+60 °C
Connection	approx. 250 mm, single cores 0.5 mm <sup>2</sup> , with self-securing fork terminal ends M4
Dimensions H×W×D	75×45×42 mm

**Commercial data**

country of origin	CZ
customs tariff number	85363010
EAN	4048879019545
eClass	27371013
Packaging unit	1.000