

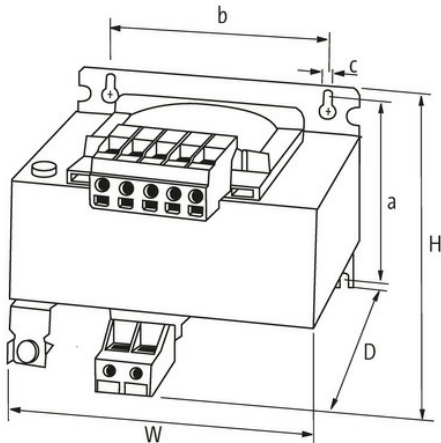
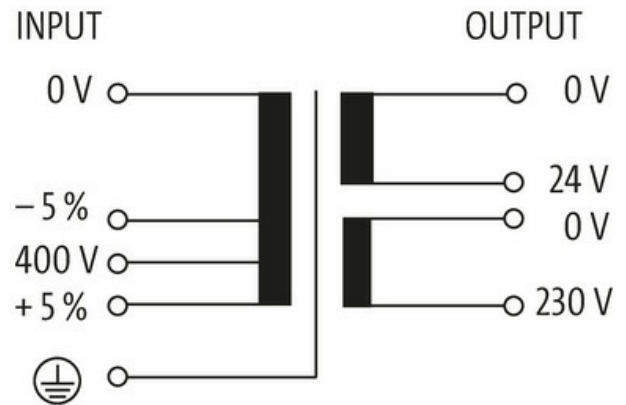
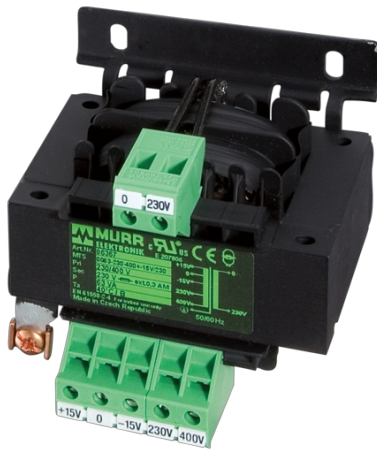
## MTS SINGLE-PHASE CONTROL AND ISOLATION TRANSFORMER

P:250VA IN:400VAC±5% OUT:24VAC/230VAC

Single-phase - Control and Isolation Transformers  
250 VA  
Isolation class T 40/B

### [Link to Product](#)

#### Illustration



Product may differ from Image



#### General data

Standards	EN 61558-2-4, EN 61558-2-6, EN 62041 category 0
Mounting method	screw fixing
Temperature range	-20...+40 °C (storage temperature -40...+80 °C)
Test isolation voltage	5.8 kV (prim./sec.)
Drill hole Ø	4.8x8.4 mm
Fixing centers a×b×c	86.5×84×4.8 mm
Dimensions H×W×D	104×97×108 mm

The information in this brochure has been compiled with the utmost care.  
Liability for the correctness completeness and topicality of the information is restricted to gross negligence. Version: 03/22

Output	
Output voltage	24/230 V AC
Output rating	250 VA
Input	
Input voltage	400 V AC $\pm$ 5%
Inrush current	9.1 A (400 V AC)
Short-circuit current	13.2 A (400 V AC)
Input current	0.74 A (400 V AC)
Frequency	50...60 Hz
Commercial data	
country of origin	CZ
customs tariff number	85043180
EAN	4048879307161
eClass	27031202
Packaging unit	1.000