

MPOT POTENTIOMETER MODULE

5K-Ohm/270 degree

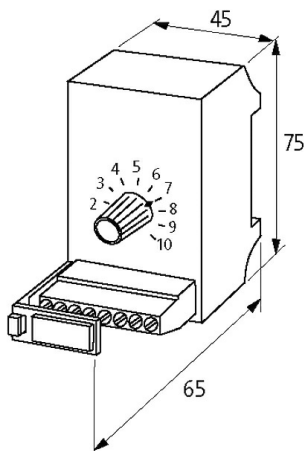
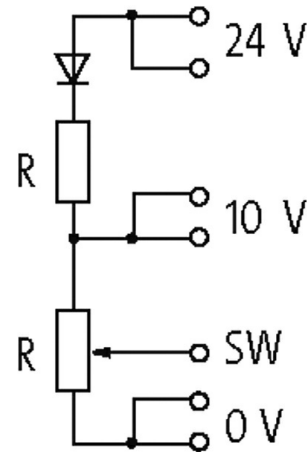
270° potentiometer

5 kΩ

The 10-turn potentiometer has a decimal scale and locking lever

[Link to Product](#)

Illustration



Product may differ from Image

Technical Data

Resistance tolerance	±20%
Linearity	±3%
Power (potentiometer)	1 W
Power (resistor)	0.25 W

General data

Mounting method	DIN-rail mountable (EN 60715)
Temperature range	0...+60 °C
Dimensions H×W×D	75×45×65 mm

Description

Functional description

The potentiometer modules are fitted with standard values. They are available as 270° potentiometer and as 10-turn potentiometer with fine adjustment. They can be operated with 10 V DC or 24 V DC. A resistor reduces the voltage so that a 24 V DC voltage c

Commercial data

country of origin	CZ
customs tariff number	85334010
EAN	4048879041669
eClass	27371227
Packaging unit	1.000