

**MQ15-X- Power male receptacle front mount**

PVC 6x1,5 UL/CSA 0,15m

Flange male

MQ15, 6-pole

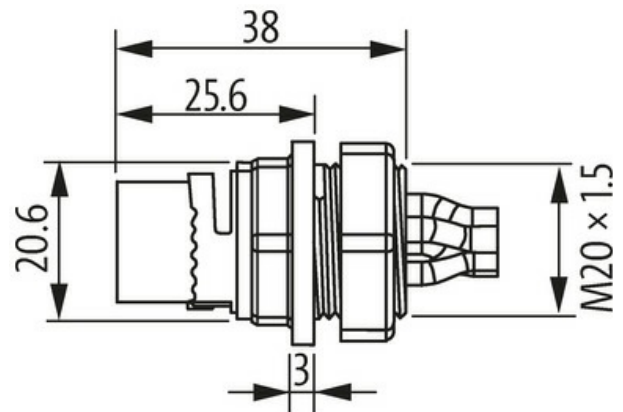
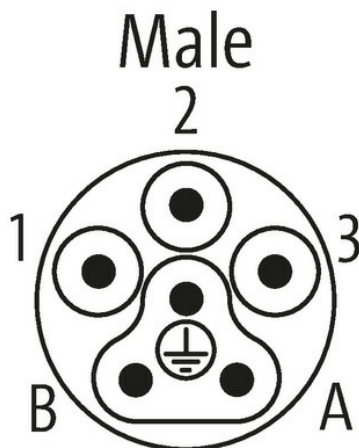
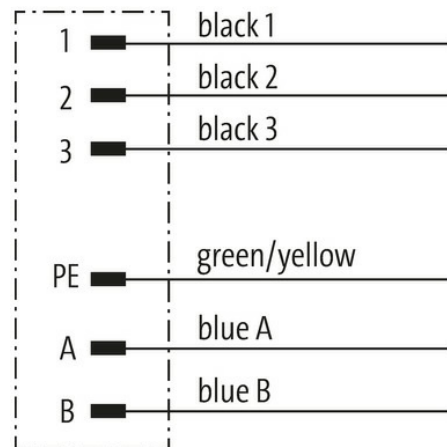
with multi-strand wire

Front mounting

Plastic housings with good resistance against chemicals and oils.

The resistance to aggressive media should be individually tested for your application. Further details on request.

Further cable lengths on request.

**[Link to Product](#)****Illustration**

Product may differ from Image

**Form**

Form P8181

**Technical Data**

|                               |   |
|-------------------------------|---|
| Operating voltage             | max. 600 V AC (Power); max. 63 V AC/DC (Signal) |
| Rated surge voltage           | 2.5 kV  |
| Operating current per contact | max. 13 A (Power); max. 10 A (Signal)           |
| No. of poles                  | 6   |
| Material group                | IEC 60664-1, category I                         |

|                  |  |
|------------------|--|
| Mating cycles    | ≥ 500                                  |
| LED display      | no                                     |
| Locking of ports | Quick connection, 1/4 turn             |
| Protection       | IP67 inserted and tightened (EN 60529) |
| Protection NEMA  | 3, 4, 6P (UL 50E)                      |
| Material         | Brass, nickel plated                   |
| Configuration    | fully used                             |

**General data**

|                            |  |
|----------------------------|--|
| Mounting method            | inserted, tightened                      |
| Material (contact)         | Copper alloy                             |
| Material (contact surface) | Ag                                       |
| Pollution Degree           | 3  |
| Temperature range          | -40...+70 °C, depending on cable quality |
| Material (contact carrier) | PA                                       |

**Cables**

|                           |  |
|---------------------------|--|
| Cable identification      | P83  |
| Diameter (core)           | 6× 1.5 mm <sup>2</sup>                         |
| AWG                       | similar to AWG 16                              |
| Material (wire isolation) | PVC  |
| Wire-Ø incl. isolation    | 3.1 mm ±5%                                     |
| Color/numbering of wires  | PVC (bk, bl, num, gnye)                        |
| chemical resistance       | good resistance to oil, gasoline and chemicals |
| thermal resistance        | flame retardant                                |
| Test voltage              | 2500 V AC                                      |
| Bend radius (fixed)       | 5× outer Ø                                     |

**Commercial data**

|                       |               |
|-----------------------|---------------|
| country of origin     | DE            |
| customs tariff number | 85444290      |
| EAN                   | 4048879884501 |
| eClass                | 27279220      |
| Packaging unit        | 1.000         |