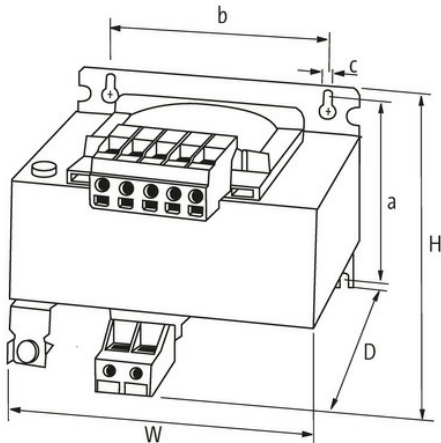
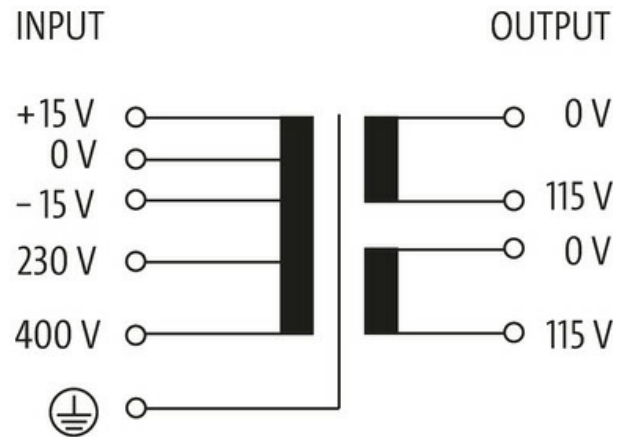


MTL 1-PHASE CONTROL AND ISOLATION TRANSFORMER

P: 400VA IN: 230/400VAC +/- 15VAC OUT: 2x115VAC

Single-phase - Control and Isolation Transformers
 400 VA
 Isolation class T 60/B

[Link to Product](#)**Illustration**

Product may differ from Image

**General data**

Standards	EN 61558-1, EN 61558-2-4, EN 62041 category 0
Mounting method	DIN-rail mountable TH35-15 (EN 60715) or for key-hole mounting
Temperature range	-20...+60 °C, no condensation
Test isolation voltage	4 kV (prim./sec.)
Drill hole Ø	7x11 mm
Fixing centers a×b×c	95×122×7 mm
Dimensions H×W×D	113×151×146 mm

The information in this brochure has been compiled with the utmost care.
 Liability for the correctness completeness and topicality of the information is restricted to gross negligence. Version: 03/22

Output	
Output voltage	1× 230, 1× 115, 2× 115 V AC
Output rating	400 VA
Input	
Input voltage	230/400 ±15 V AC
Inrush current	32 A (230 V AC); 18.48 A (400 V AC)
Short-circuit current	59 A (230 V AC); 34.1 A (400 V AC)
Input current	2 A (230 V AC); 1.17 A (400 V AC)
Frequency	50...60 Hz
Commercial data	
country of origin	CZ
customs tariff number	85043180
EAN	4048879078160
eClass	27031302
Packaging unit	1.000