

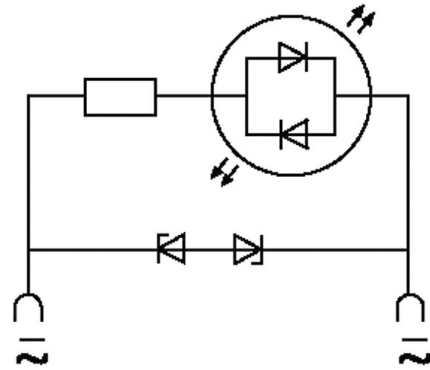
VALVE PLUG SUPPRESSOR FORM A - 18MM

Zener diode and LED, 24VDC/30VA/W

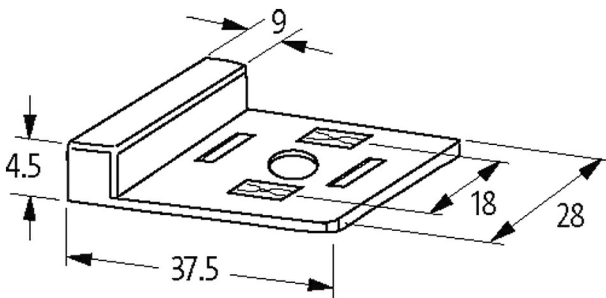
24 V AC/DC

Z Diode + LED (yellow)

Remove plug gasket when fitting adapter. Other LED colors on request.

[Link to Product](#)**Illustration**

LED + Zenerdiode



Product may differ from Image

Technical Data

Switch off peak	1 V
LED display	(yellow opac)
Input voltage	20...32 V AC/DC
Material	PUR
max. power (W)	max. 30 W (VA)
Pin spacing	Form A (18 mm)
Switch off delay time	max. 200 ms

General data

Material (contact)	Silvered bronze
Temperature range	-20...+60 °C
Dimensions H×W×D	4.5×37.5×28 mm

Commercial data

country of origin	CZ
customs tariff number	85363010
EAN	4048879011624

eClass	27371013
Packaging unit	1.000
