

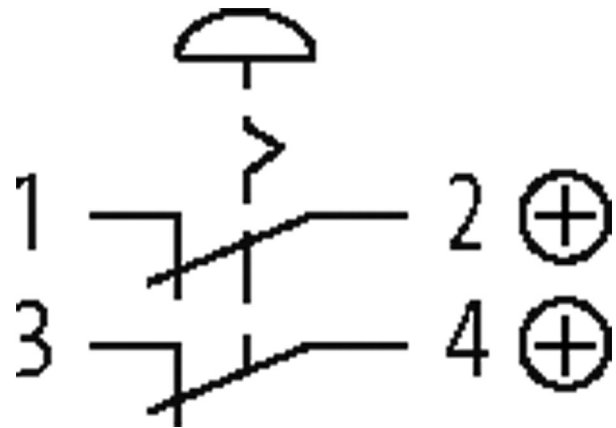
Emergency stop with 2 positive opening

contacts in a 42mm enclosure

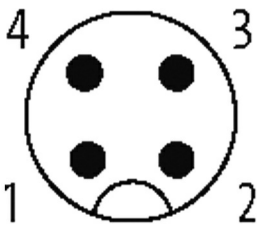
E-Stop 42 2NC M12(4)
with M12 connection
4-pole
Emergency-Stop button
2 NC (positively-opening)

Link to Product

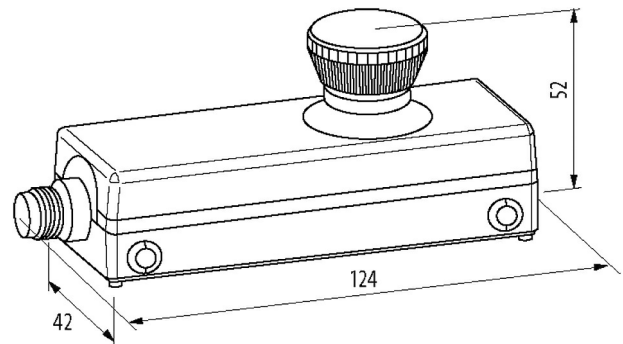
Illustration



Male



PIN 1: N/C 1
PIN 2: N/C 1
PIN 3: N/C 2
PIN 4: N/C 2



Product may differ from Image



Technical Data

Contact bounce time	max. 10 ms
Switching capacity	15 A (AC 15); 2.2 A (DC 13)

General data

Mounting method	with clip on back
Material (contact)	Ag Ni
Temperature range	-25...+70 °C (storage temperature -25...+85 °C)
Lambda (d)	20% (N/C)
B10d	250 000

The information in this brochure has been compiled with the utmost care.
Liability for the correctness completeness and topicality of the information is restricted to gross negligence. Version: 03/22

Mech./ elect. life	50 000 actuations, load-temperature dependent
--------------------	---

Protection	IP65
------------	------

Connection	M12 (4-pole)
------------	--------------

Dimensions H×W×D	52×124×42 mm
------------------	--------------

Contact Layout

PIN 1	N/C 1
-------	-------

PIN 2	N/C 1
-------	-------

PIN 3	N/C 2
-------	-------

PIN 4	N/C 2
-------	-------

Utilization category

AC-15	1.5 A (240 V AC)
-------	------------------

DC-13	2 A (24 V DC)
-------	---------------

Commercial data

country of origin	DE
-------------------	----

customs tariff number	85365080
-----------------------	----------

EAN	4048879594097
-----	---------------

eClass	27371244
--------	----------

Packaging unit	1.000
----------------	-------