

## MVK I/O COMPACT MODULE, METAL

Profibus DP, 4 analog In / 8 multif. channels

Digital inputs/outputs

DIO4 DIO4 AI4

PROFIBUS 12 Mbit/s; M12, B-coded

7/8", 5-pole, 2× max. 9 A

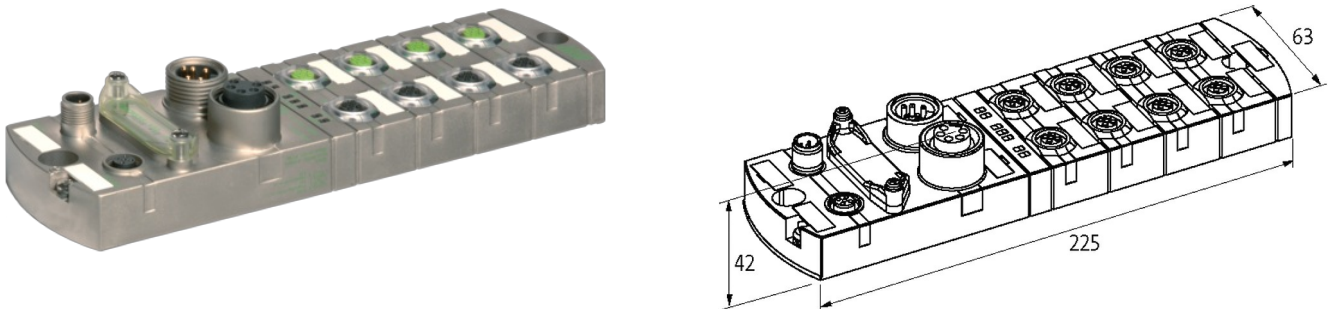
M12, 5-pole, A-coded

Connection cables are in the online shop under "Connection Technology".

Housing fully potted.

### [Link to Product](#)

#### Illustration



Product may differ from Image



#### General data

Mounting method	2-hole screw mounting
Temperature range	0...+55 °C (storage temperature -20...+70 °C)
Protection	IP67
Dimensions H×W×D	42×63×225 mm

#### PROFIBUS

Addressing	Rotary switch 1...99
------------	----------------------

#### Output

Lamp load	10 W
Actuator supply UA	24 V DC (EN 61131-2), max. 9 A
Lamp load (8× M12 left)	max. 1.6 A (short-circuit and overload protected)

#### Input

Input resistor (analog)	approx. 1 MΩ, differential input
Sensor supply US	24 V DC (EN 61131-2), max. 200 mA (M12 female), short-circuit and overload protected
Conversion time (analog)	1 ms
Resolution (analog)	16 Bit
Type	for 3-wire sensors or mechanical switches, PNP
Input range (analog)	0...10 V, (0...20 mA and 4...20 mA via adapter Art.-No. 7000-42251-0000000)

#### Connections

Fieldbus	PROFIBUS 12 Mbit/s; M12, B-coded
Sensor-system/actuator supply	7/8", 5-pole, 2× max. 9 A
I/O ports	M12, 5-pole, A-coded

Diagnostic	
Communication status	via LED
Diagnostic via LED	per module and channel
Diagnostic via BUS	per module and channel
Actuator warning	per channel via LED and BUS
Monitoring - under voltage	yes
Monitoring - no voltage	yes
Wire break upper/lower limit overload	per channel via LED and BUS
Short-circuit and overload	yes
Commercial data	
country of origin	DE
customs tariff number	85389099
EAN	4048879051583
eClass	27242604
Packaging unit	1.000