

MOTOR SUPPRESSOR

RC, 3x400VAC/4kW

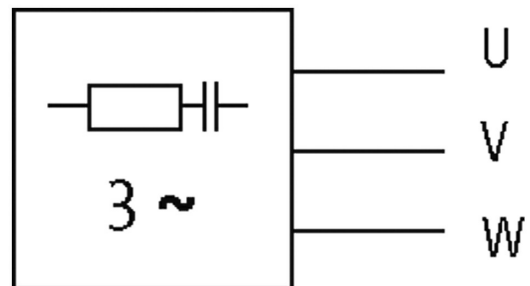
3× 400 V AC

RC

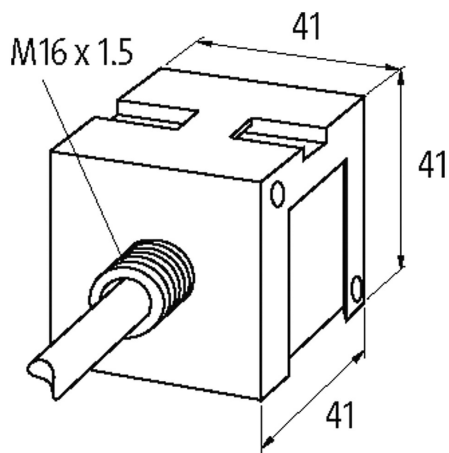
PG9

Suppressors for other voltages, frequencies, and motor ratings available on request. Do not use RC motor suppressors with frequency inverters.

For DIN-rail mounting use 2×Art.-No. 20900 adapter feet

[Link to Product](#)**Illustration**

RC



Product may differ from Image

**Technical Data**

Frequency	50...60 Hz
Input voltage	400...400 V AC
Material	Flame retardant plastic acc. to (UL 94)
Potting compound	2-component epoxy

General data	
Mounting method	DIN-rail mountable TH35 (EN 60715)
Temperature range	-20...+60 °C
Connection	approx. 500 mm, PVC cable 3× 0.75 mm ²
Dimensions H×W×D	41×41×41 mm

Commercial data	
country of origin	CZ
customs tariff number	85363010
EAN	4048879019514
eClass	27371013
Packaging unit	1.000