

CUBE67 Hygienic Design I/O EXTENSION MODULE

16 multifunction channels

Expansion module

DIO16 - 0.5 A (E) - 8× M12

short-circuit and overload protected

Digital inputs/outputs (multifunctional)

Hygienic Design

Stainless steel, polished

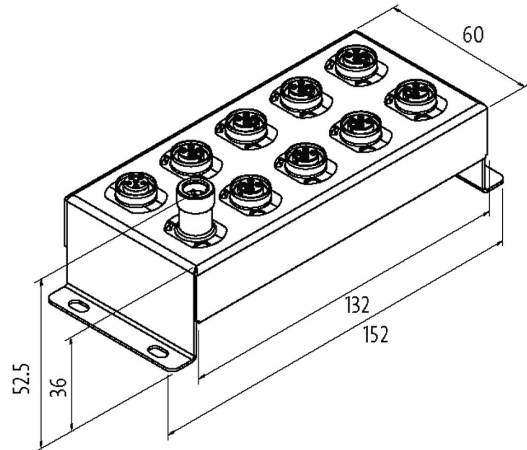
Connection cables are in the online shop under "Connection Technology".

Housing fully potted.

Connection cable: F&B, F&B Pro, Steel

Link to Product

Illustration



Product may differ from Image



General data

Mounting method	2-hole screw mounting
Temperature range	0...+55 °C (storage temperature -20...+75 °C)
Protection	IP69K
Dimensions H×W×D	126×50×34.5 mm

Output

Lamp load	10 W
Actuator supply UA	24 V DC (EN 61131-2), via system connection (max. 4 A)
Switching current per output	max. 0.5 A (short-circuit and overload protected)

Input

Sensor supply US	24 V DC (EN 61131-2), max. 200 mA (M12 female), short-circuit and overload protected
Type	for 3-wire sensors or mechanical switches, PNP
Input filter	1 ms

Internal communication

LED display	US: sensor supply and internal supply voltage (green: OK); UA: actuator supply (green: OK)
Current consumption	max. 50 mA

Parameterization

The information in this brochure has been compiled with the utmost care.

Liability for the correctness completeness and topicality of the information is restricted to gross negligence. Version: 03/22

PIN 4	Input/Output
PIN 2	Input/Output/Diagnostic
Connections	
Fieldbus	via internal system connection
Sensor-system/actuator supply	via internal system connection (max. 2× 4 A)
I/O ports	M12 (female) 5-pole, A-coded
Diagnostic	
Communication status	via LED
Diagnostic via LED	per module and channel
Diagnostic via BUS	per module and channel
Actuator warning	per channel via LED and BUS
Monitoring - under voltage	yes
Monitoring - no voltage	yes
Short-circuit and overload	yes
Commercial data	
country of origin	DE
customs tariff number	85389099
EAN	4048879695718
eClass	27242604
Packaging unit	1.000