

**NT 3 AC-DC/DC-CONVERTER, LINEAR REGULATED**

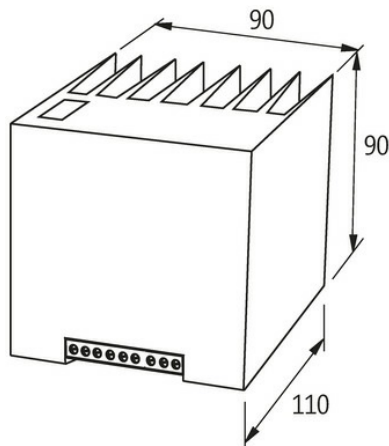
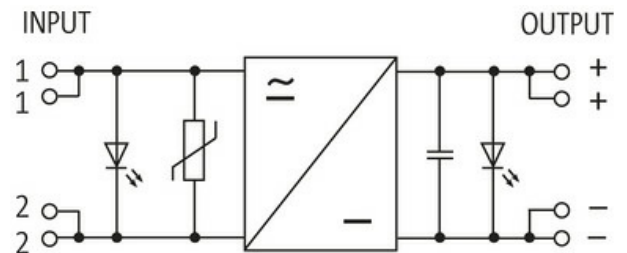
IN: 10-32VAC/12-42VDC OUT: 5-35V/3,5ADC

INPUT: 10...35 V AC/12...42 V DC

OUTPUT: 5...35 V DC

Output rating: 122 W

Current: 3.5 A

[Link to Product](#)**Illustration**

Product may differ from Image

**General data**

Mounting method	DIN-rail mountable TH35 (EN 60715)
Temperature range	-20...+60 °C, no condensation

**Output**

Output voltage	5...35 V DC (SELV), $U_{out-max.} = U_{in} - 5 V$
Output fuse	Short-circuit protected
Output current	max. 3.5 A
Ripple	max. 300 mV eff/rms

**Input**

Input voltage	10...32 V AC/12...42 V DC
Input current	max. 3 A

Frequency	50...60 Hz
-----------	------------

Input fuse (internal)	6.3 A (T)
-----------------------	-----------

**Commercial data**

country of origin	CZ
-------------------	----

customs tariff number	85044090
-----------------------	----------

EAN	4048879079501
-----	---------------

eClass	27210901
--------	----------

Packaging unit	1.000
----------------	-------