

## MOSA VALVE PLUG 8MM FIELD-WIREABLE (IDC)

Form C (8 mm)

24 V AC/DC  $\pm 25\%$

LED and suppression

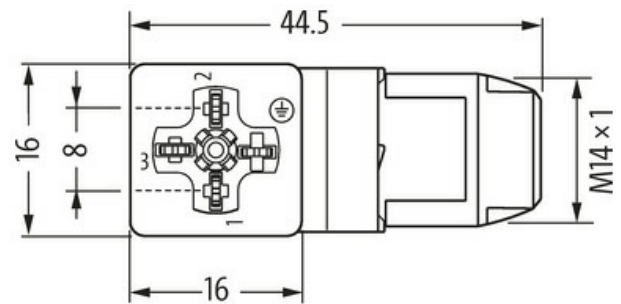
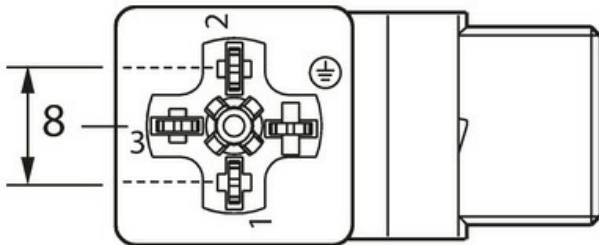
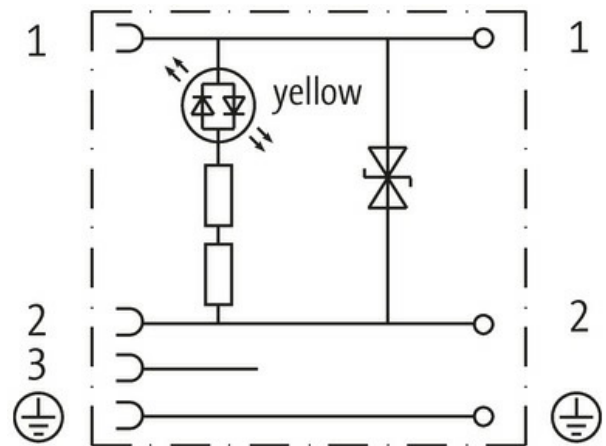
Insulation displacement technology IDC

Plastic housings with good resistance against chemicals and oils.

The resistance to aggressive media should be individually tested for your application. Further details on request.

### [Link to Product](#)

#### Illustration



Height: 28 mm

Product may differ from Image

#### Form

Form 80081

#### Technical Data

Operating voltage	24 V AC/DC $\pm 25\%$
Operating current per contact	max. 3 A
Protection	IP65 inserted and tightened (EN 60529)
Configuration	3 contacts + PE

#### General data

Temperature range	-25...+85 °C
Mounting set	M14x1 mm
Dimensions HxWxD	28x16x44.5 mm

#### Commercial data

country of origin	CZ
-------------------	----

customs tariff number	85366990
EAN	4048879132343
eClass	27279218
Packaging unit	1.000