

B16 Hood, IP68

Screw locking, side entry M40

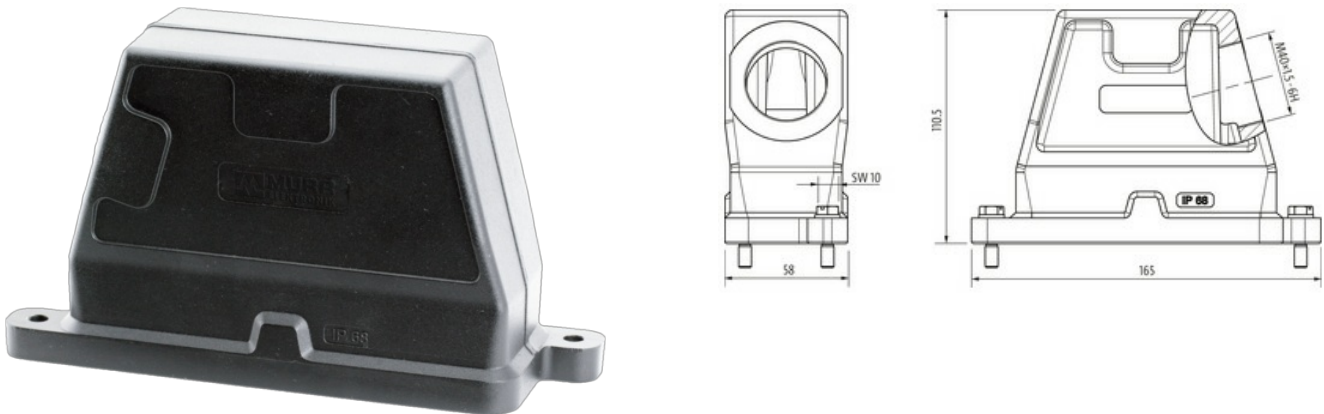
B16

Hood

Screw locking

IP68

Technical data will be only guaranteed with Murrelektronik components.

[Link to Product](#)**Illustration**

Product may differ from Image

Technical Data

Mating cycles	min. 500
Locking of ports	Screw locking
Protection (housing)	IP68 inserted and tightened (EN 60529), with gland
Tightening torque	4 Nm

General data

Material (gasket)	Silicon
Temperature range	-40...+125 °C
Material (housing)	Aluminum die-cast
Housing type	Hood
Threaded hole	M40
Size	B16
Cable outlet	laterally
Locking material	Stainless steel
Climatic category	40/125/21
Material (housing surface)	powder-coated
Dimensions H×W×D	110.5×58×165 mm

Commercial data

country of origin	CZ
customs tariff number	85389099
EAN	4048879647434
eClass	27143424
Packaging unit	1.000