

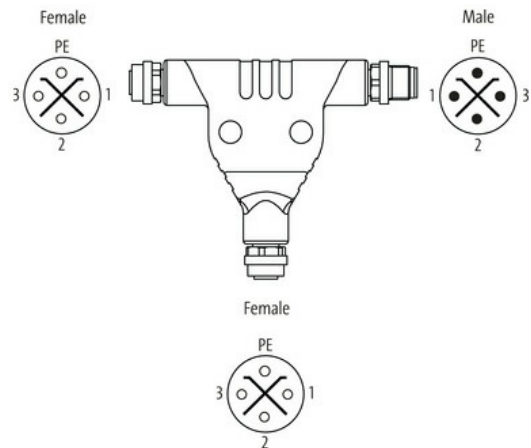
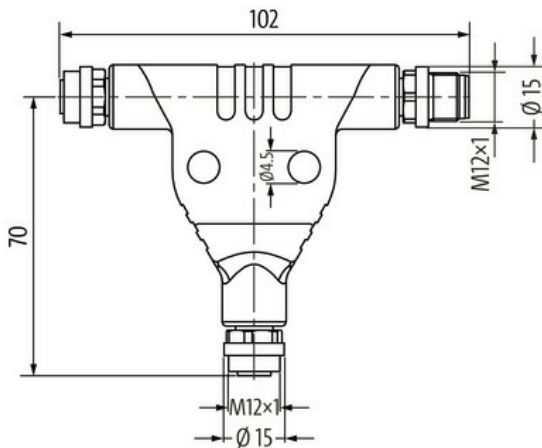
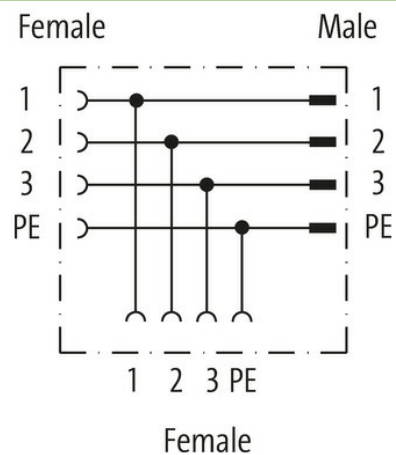
T-coupler M12 Power male S-cod. / 2x female S-cod.

4-pol.

Power
T-coupler
M12
S-coded
4-pole

Plastic housings with good resistance against chemicals and oils.

The resistance to aggressive media should be individually tested for your application. Further details on request.

[Link to Product](#)**Illustration**

Product may differ from Image

**Technical Data**

Operating voltage	max. 630 V AC; max. 600 V AC (UL)
Operating current per contact	12 A
No. of poles	4-pole

Coding	S-coded
LED display	no
Protection	IP65, IP67, IP68
General data	
Standards	IEC 61076-2-111 (M12)
Material (contact)	Brass, gold plated
Pollution Degree	2
Temperature range	-30...+90 °C
Material (contact carrier)	PA
Commercial data	
country of origin	DE
customs tariff number	85366990
EAN	4048879840088
eClass	27279220
Packaging unit	1.000