

IMPACT67 COMPACT MODULE, PLASTIC

Ethernet/IP, 8 dig. In + 8 dig. Out

Digital inputs/outputs

DI8 DO8 - 2 A

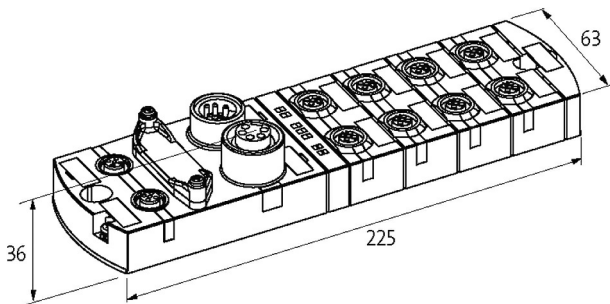
Ethernet 10/100 Mbit/s; M12, D-coded

7/8", 5-pole, 2× max. 9 A

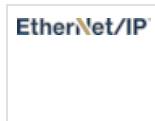
M12, 5-pole, A-coded

Connection cables are in the online shop under "Connection Technology".

Housing fully potted.

[Link to Product](#)**Illustration**

Product may differ from Image

**General data**

Mounting method	2-hole screw mounting, compatible with I/O modules of MVK model range
Temperature range	-25...+55 °C (storage temperature -25...+70 °C)
Protection	IP67
Dimensions H×W×D	39×63×225 mm

Output

Switching current per output	max. 2 A (short-circuit and overload protected)
------------------------------	---

Input

Sensor supply US	24 V DC (EN 61131-2), max. 200 mA (M12 female), short-circuit and overload protected
Type	for 3-wire sensors or mechanical switches, PNP

Connections

Fieldbus	Ethernet 10/100 Mbit/s; M12, D-coded
Sensor-system/actuator supply	7/8", 5-pole, 2× max. 9 A

I/O ports M12, 5-pole, A-coded

EtherNet/IP

Addressing DHCP, BOOTP or IP address by rotary switch

Diagnostic

Communication status via LED

Diagnostic via LED per module and channel

Diagnostic via BUS per module and channel

Monitoring - under voltage yes

Monitoring - no voltage yes

Commercial data

country of origin DE

customs tariff number 85389099

EAN 4048879051941

eClass 27242604

Packaging unit 1.000