

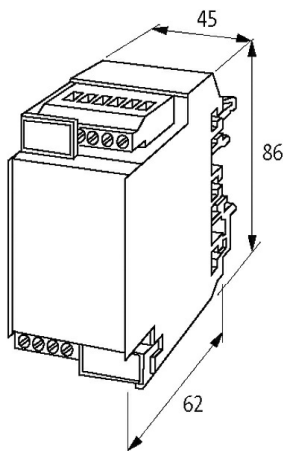
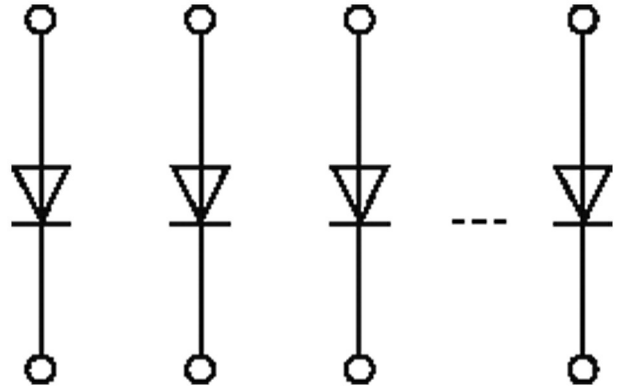
MKS - D 10/1300 - 1 DIODE MODULES

Mounting rail / screw-type terminal

Universal diode 1 300 V, 1 A

10 diodes

separation contact via pluggable jumpers

[Link to Product](#)**Illustration**

Product may differ from Image

Technical Data

Operating voltage max. 48 V AC/DC

General data

Mounting method DIN-rail mountable TH35 or G32 (EN 60715)

Temperature range -20...+60 °C

Connection Screw terminals: max. 4 mm²

Dimensions H×W×D 85×45×62 mm

Description

Functional description Diode modules are suitable for the suppression of inductive loads (valve, contactor, etc.)

Commercial data

country of origin CZ

customs tariff number	85411000
EAN	4048879041874
eClass	27371010
Packaging unit	1.000