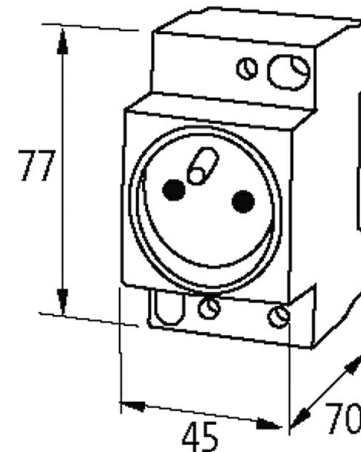


MSVD POWER SOCKET UTE WITH LED

Mounting rail

France (UTE-NF) white
Screw terminals
LED (yellow)

[Link to Product](#)**Illustration**

Product may differ from Image

General data

Dimensions H×W×D	77×45×70 mm
------------------	-------------

France (UTE-NF)

Operating voltage	250 V AC
Operating current	16 A
Connection	Screw terminals: max. 2× 6 mm ² (AWG 10)
Mounting method	DIN-rail mountable (EN 60715)

Commercial data

country of origin	BE
customs tariff number	85366990
EAN	4048879041416
eClass	27189217
Packaging unit	1