

Gateway Profibus-DP/AS-i, 1 Master

Spec. 3.0

Gateway-Singlemaster

AS-Interface/PROFIBUS DP

via pluggable spring clamp plug-in terminals on the front 0.5...1.5 mm²

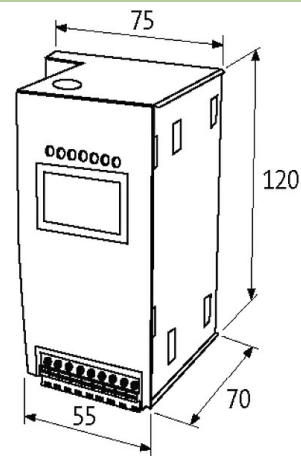
Specification 2.1

Current manuals, GSD/type data can be downloaded at: www.murrelektronik.com

Other gateways on request.

Link to Product

Illustration



Product may differ from Image



General data

Standards	EN 50295, EN 50081
Mounting method	DIN-rail mountable (EN 60715)
Temperature range	0...+55 °C (storage temperature -20...+85 °C)
Test isolation voltage	min. 500 V
Protection	IP20
Dimensions H×W×D	120×75×83 mm

PROFIBUS

Addressing via buttons on the gateway or PROFIBUS DP addresses 1...126 adjustable (default 3)

Fieldbus

Buttons	4 (mode/set/OK/ESC)
Transfer rate	9.6...12 000 kbps, automatic detection
Functions	Illustration of AS-Interface slaves as I/O process data in PROFIBUS DP, full diagnostic configuration via DP-master

AS-Interface

Operating current	max. 200 mA (AS-Interface)
Serial interface/diagnostic	PS2/RS232
Cycle time	150 μs × (number of slaves + 2)
Bus connection	via pluggable spring clamp plug-in terminals on the front 0.5...1.5 mm ²
No. of slaves	max. 62

The information in this brochure has been compiled with the utmost care. Liability for the correctness completeness and topicality of the information is restricted to gross negligence. Version: 03/22

Specification	2.1
Operating voltage	30 V DC

Connections

Fieldbus	SUB-D9
----------	--------

Commercial data

country of origin	DE
customs tariff number	85176200
EAN	4048879046565
eClass	27242608
Packaging unit	1.000