

MA5I67 I/O MODULE K3

4 digital inputs, 4 digital, passive safety outputs

Digital inputs/outputs

Output groups up to PLd (EN ISO 13849-1) can be switched off via safety relays

DI4 - 0.2 A DO4 - 1.6 A (C) - 4× M12 (AB) (K3)

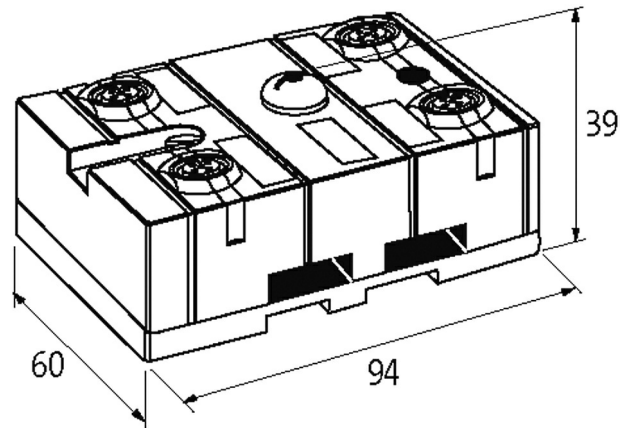
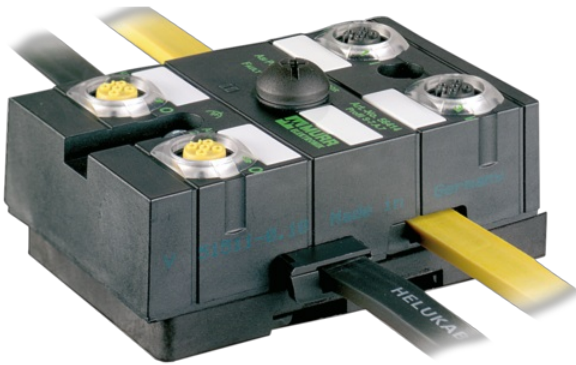
Double assignment of M12 females, PIN 2 + 4

Connection cables are in the online shop under "Connection Technology".

Housing fully potted.

Link to Product

Illustration



Product may differ from Image



Technical Data

Bus voltage (AS-Interface)	26.5...31.6 V DC
Profile (IO/ID/ID2 code)	S-7.A.7
Addressing	via built-in address port or master
Address range	1...62 (1...31 A or B)
Double assignment of M12 female	yes
Total current	max. 250 mA

General data

Mounting method	DIN-rail mountable (EN 60715) or screw fixing
Temperature range	-20...+60 °C (storage temperature -20...+70 °C)
Protection	IP67
Dimensions H×W×D	94×60×39 mm

Output

Supply voltage	24 V DC external (18...30.2 V DC) EN 61131-2, connection via black AS-Interface profile cable
Total current	2× 3.2 A
Switching current per output	max. 1.6 A (short-circuit and overload protected)

Input

Sensor supply US	max. 200 mA from AS-Interface (short-circuit and overload protected)
Type	for 3-wire sensors or mechanical switches, PNP

Diagnostic

The information in this brochure has been compiled with the utmost care.

Liability for the correctness completeness and topicality of the information is restricted to gross negligence. Version: 03/22

Communication status	via LED
Diagnostic via LED	per module
Monitoring - no voltage	yes
Commercial data	
country of origin	DE
customs tariff number	85176200
EAN	4048879048996
eClass	27242604
Packaging unit	1.000