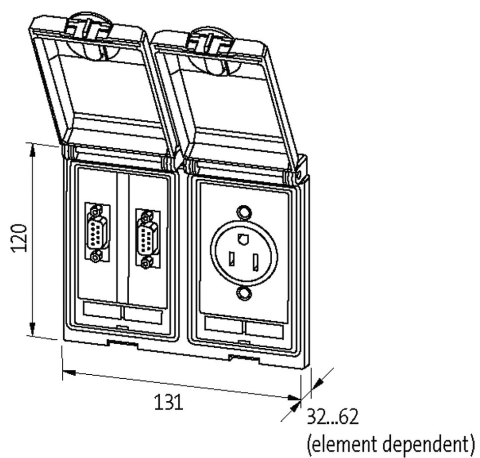


Modlink MSDD-set: Frame 4000-68123-000000,

insert 4000-68000-1000000 + 4000-68000-0060000

[Link to Product](#)

Illustration



Product may differ from Image

Frame

The information in this brochure has been compiled with the utmost care.
Liability for the correctness completeness and topicality of the information is restricted to gross negligence. Version: 03/22

Murrelektronik Ltd. | 5 Albion Street, Pendlebury Industrial Estate, Swinton | Manchester M27 4FG | Fon +44 161 728 3133 | Fax +44 161 728 3130 | shop@murrelektronik.co.uk | shop.murrelektronik.co.uk

suitable for mounting with wall thickness	1...5 mm
Protection	IP65
Housing	Zinc die-casting, with surface finishing
Temperature range	-10...+60 °C (storage temperature -25...+60 °C)

USB

Operating voltage	48 V AC/DC
Operating voltage (UL Rating)	42.4 V DC
Operating current	max. 500 mA
Locking of ports	Snap In
Specification	USB: 2.0 (max. 480 Mbit/s)

England (BS)

Operating voltage	250 V AC
Operating current	13 A
No. of poles	2 + PE
Connection	Screw terminals: max. 2× 4 mm ² (AWG 12)

SUB-D25

Operating voltage	48 V AC/DC
Operating voltage (UL Rating)	max. 30 V AC/42.4 V DC
Operating current	3 A
Operating current (UL Rating)	max. 175 mA
No. of poles	25-pole
Connection front side	SUB-D (female)
Connection rear side	SUB-D (male)
Locking of ports	UNC 4...40 bolt

Commercial data

country of origin	CZ
customs tariff number	85366990
EAN	4048879034081
eClass	27189217
Packaging unit	1